

**LINK<sup>®</sup> MORTUARY  
EQUIPMENT**

# INSTALLATION INSTRUCTIONS AND PARTS LIST

**SR75  
(78113A01)**



223 15th St. N.E.  
Sioux Center, IA USA  
51250-2120  
[www.linkmortuaryequipment.com](http://www.linkmortuaryequipment.com)

**QUESTIONS?  
CALL CUSTOMER  
SERVICE  
1-800-248-3057**

The **Link SR75** fits the 2015 and newer Chevy Suburban and GMC Yukon XL.

Estimated Weight: 70 lbs.

Link Mortuary Equipment, a division of Link Mfg., Ltd.  
[www.linkmortuaryequipment.com](http://www.linkmortuaryequipment.com)

78113018  
AUG 4, 2023

**IMPORTANT:** IT IS IMPORTANT THAT THE ENTIRE INSTALLATION INSTRUCTIONS BE READ THOROUGHLY BEFORE PROCEEDING WITH THE INSTALLATION.

## 1. INTRODUCTION

Thank you for choosing a Link Mortuary Equipment SR75. We want to help you get the best results from this deck and to operate it safely. This instruction contains information to assist in the installation of the Link Mortuary Equipment SR75. This instruction is intended solely for use with this product.

All information in this instruction is based on the latest information available at the time of printing. Link Manufacturing reserves the right to change its products or manuals at any time without notice.

Damaged components should be returned to Link with a pre-arranged Returned Materials Authorization (RMA) number through the Customer Service Department. The damaged component may then be replaced if in compliance with warranty conditions.

Review the **Parts List** on **Page 3** to become familiar with the different components of the **SR75**. Be sure all items are included before beginning assembly.

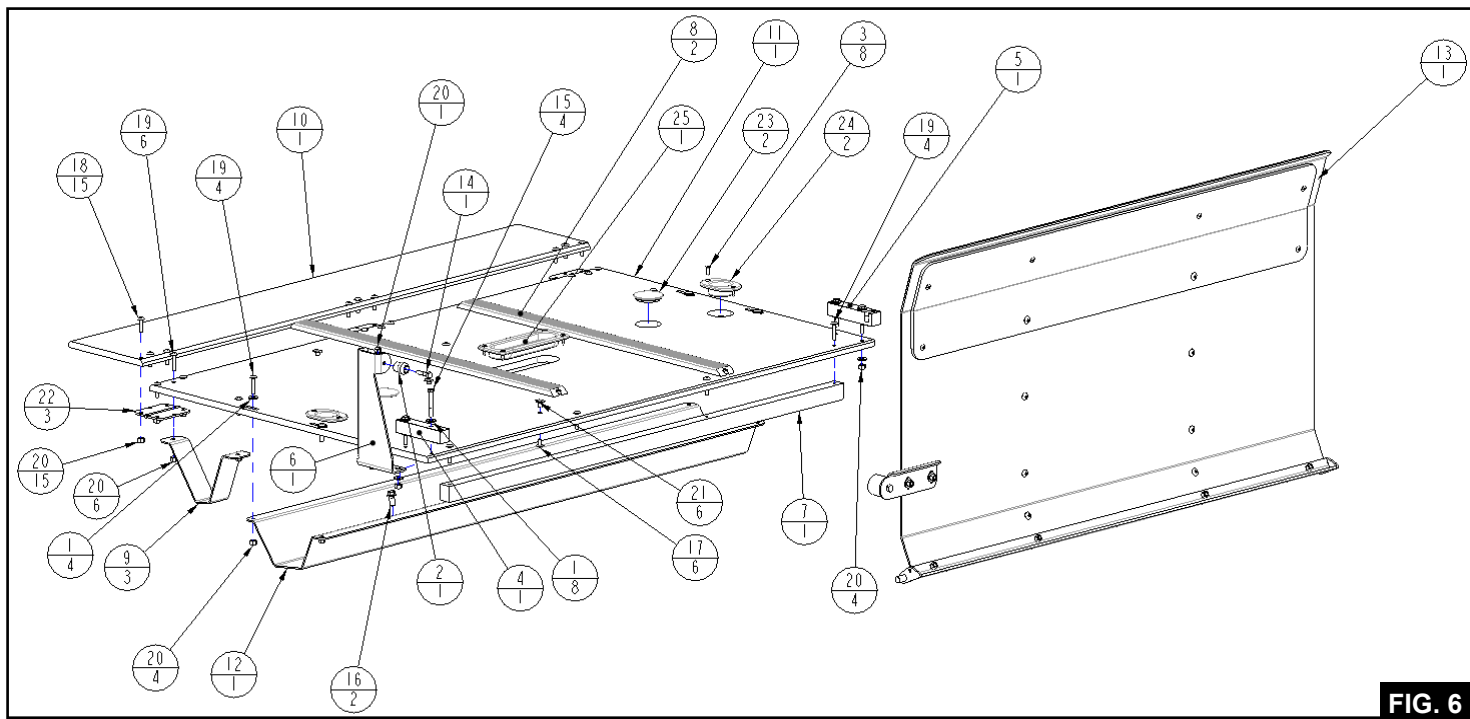
**IMPORTANT:** Installation of the **SR75** may vary depending on what type of vehicle you have and how it is set up. Due to variables in different vehicles, the fit of the **SR75** should be evaluated before beginning installation.

- A. The SR75 is held down using existing fastener holes from the cargo organizer. Open the organizer, remove the cargo partitions, lift the two rubber mats at the bottom of the organizer, remove the two fasteners, and lift and remove cargo organizer. **(Fig. 1-3)**
- B. The ramp stop bracket (Item #6) is shipped unattached. See **Fig. 4** for details on attaching it. Remove the two bolts that hold on the ramp mount block (Item # 15), and then attach the bracket and the ramp mount block using the bolts that were just removed. **Note:** There is some adjustment that can be made with the ramp holder bracket on the ramp to properly align the ramp holders.
- C. Remove the trim plugs (Item #23) from deck **(Fig. 5)** and place the deck into the cargo area, aligning the holes in the deck with the in floor nuts where the bolts were removed in Step A. Using a 13mm socket install the two M8 X 1.25 X 20 hex flange head screws (Item #16). Replace the trim plugs.
- D. Snap the rear ramp into place and confirm proper fit of the unit. With the deck positioned, check all clearance issues. Leave adequate clearance between the deck/ramp and the vehicle components.

### Maintenance:

- A. Clean with soap and water or window cleaner.
- B. To insure the ease of ramp operation, you may lubricate the female ramp holder with silicone. Use lube sparingly.
- C. Call Link Mfg. 1-800-248-3057 with any questions or comments.





**FIG. 6**

ITEM	PART #	DESCRIPTION	QTY
1	14870800	1/4 TYPE A PLAIN WASHER	12
2	15000006	RAMP HOLDER, MALE END	1
3	15060048	#10 X 3/4 SS FLAT HD TAP SCR	8
4	70000090	BLOCK-MOUNT, RAMP	1
5	70000091	BLOCK-MOUNT, RAMP	1
6	78113006	BRACKET-STOP, RAMP	1
7	78113007	STRIP-SUPPORT, DECK	1
8	78113008	GLIDE STRIP	2
9	78113013	STAND-FRONT ,SR75	3
10	78113014	PLATE-EXTENSION,SR75	1
11	78113015	PLATE-SR75	1
12	78113016	MOUNT -REAR, SR75	1
13	78113017	KIT-RAMP	1
14	14010810	1/4 X 1 1/4 UNC HEX CAP SCR (GR 5)	1
15	14010816	1/4 X 2 UNC HEX CAP SCR (GR 5)	4
16	141E0804	HEX FLNG SCR M8X1.25X20 CLS 8.8	2
17	144C0804	1/4 X 1/2 UNC TRUSS HD PH MACH SCR, SS	6
18	144C0808	1/4 X 1 UNC TRUSS HD PH MACH SCR, SS	15
19	144C0810	1/4 X 1 1/4 UNC TRUSS HD PH MACH SCR, SS	14
20	14780800	1/4 UNC HEX NYLOCK NUT (GR B)	30
21	14840808	1/4-20 X 7/16 SLAB BASE WELD NUT	6
22	15060250	BRASS HINGES 3 1/2	3
23	15070455	PLUG-TRIM	2
24	78000011	RECESSED COT CUP	2
25	78000016	SUPER SIZED RECESSED COT CUP	1



223 15TH ST. NE, SIOUX CENTER, IA 51250  
1-800-248-3057  
[www.linkmortuaryequipment.com](http://www.linkmortuaryequipment.com)