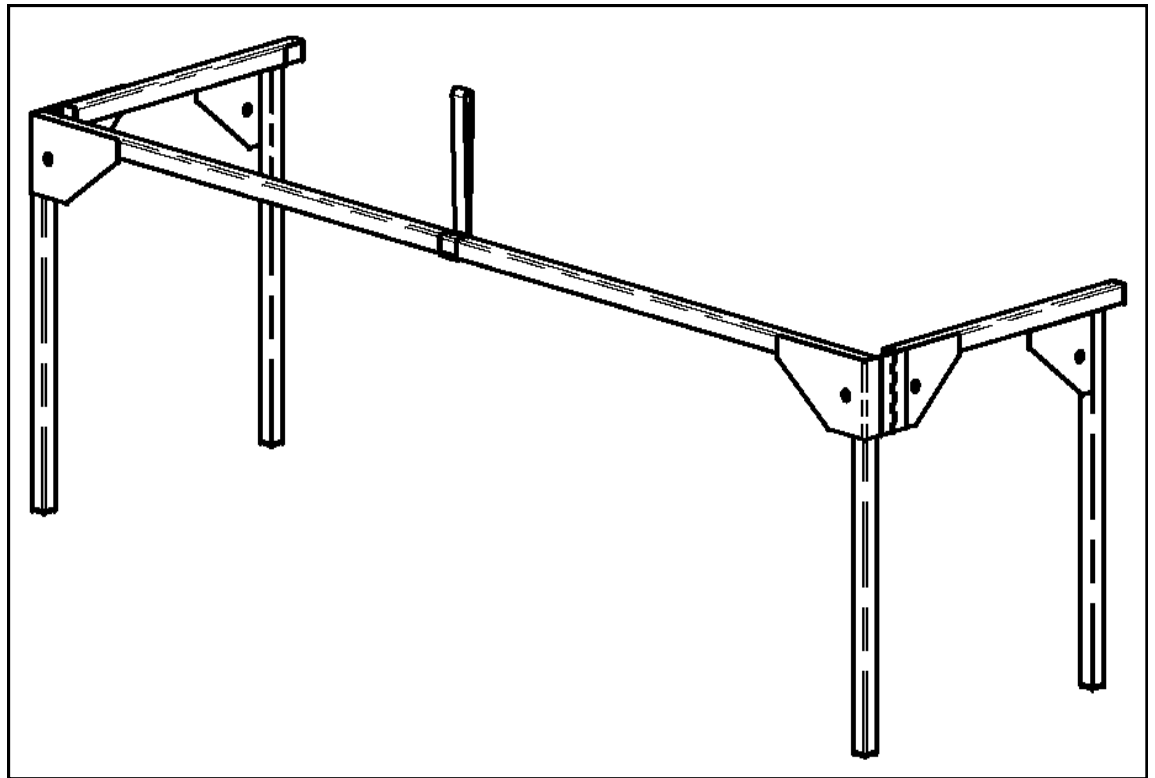


LINK[®] MORTUARY
EQUIPMENT

ASSEMBLY INSTRUCTIONS AND PARTS LIST

**CDS300
CASKET DRAPE FRAME
(7803A000)**



223 15th St. N.E.
Sioux Center, IA USA
51250-2120
www.linkmortuaryequipment.com

**QUESTIONS?
CALL CUSTOMER
SERVICE
1-800-248-3057**

Estimated weight : 15 lbs.

Link Mortuary Equipment, a division of Link Mfg., Ltd.
www.linkmortuaryequipment.com

78034110
AUG 4, 2023

IMPORTANT: IT IS IMPORTANT THAT THE ENTIRE INSTALLATION INSTRUCTIONS BE READ THOROUGHLY BEFORE PROCEEDING WITH THE INSTALLATION.

1. INTRODUCTION

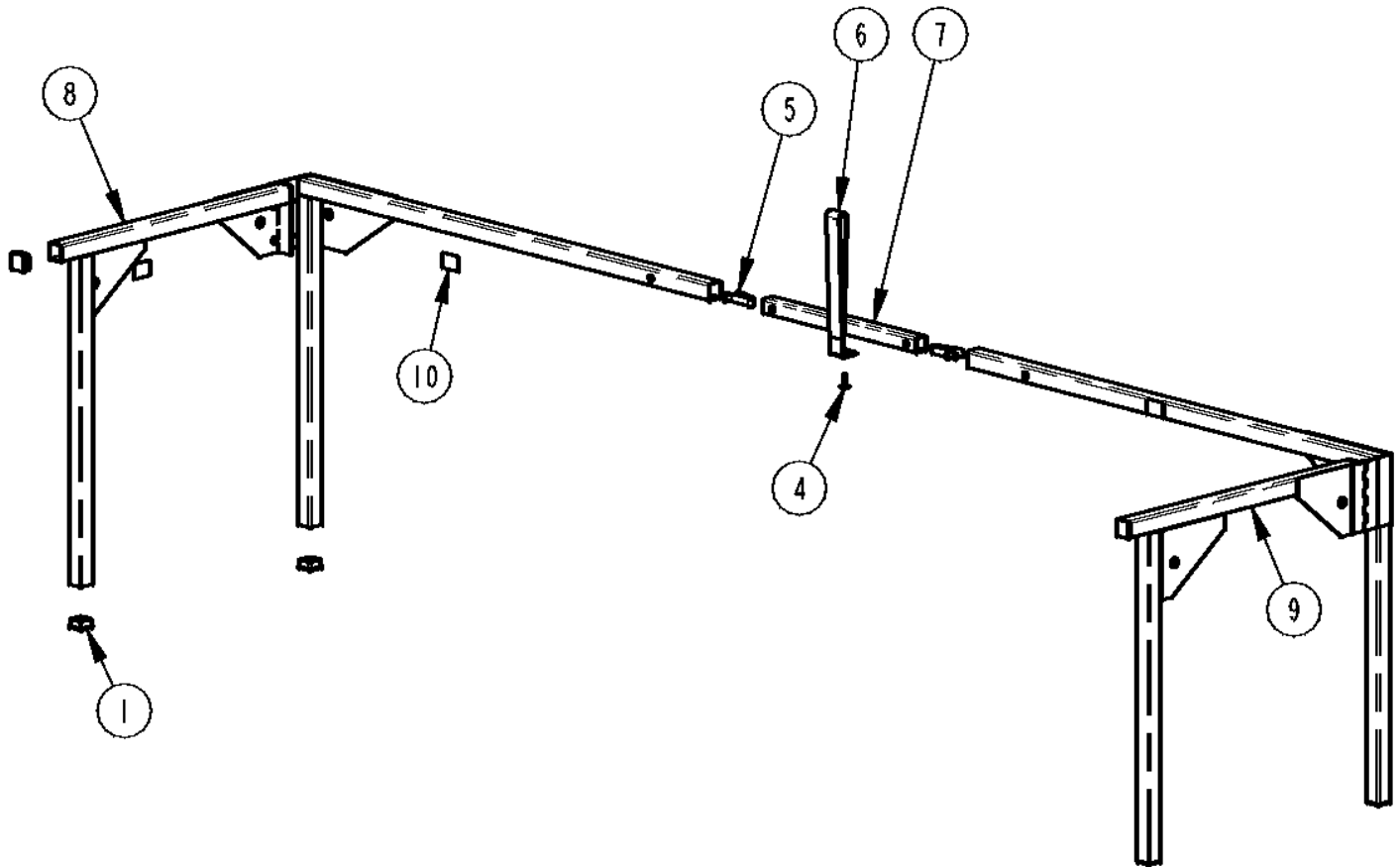
Thank you for choosing a Link Mortuary Equipment CDS300 Casket Drape Frame. We want to help you get the best results from this drape frame and to operate it safely. This instruction contains information to assist in the installation of the Link Mortuary Equipment CDS300. This instruction is intended solely for use with this product.

All information in this instruction is based on the latest information available at the time of printing. Link Manufacturing reserves the right to change its products or manuals at any time without notice.

Damaged components should be returned to Link with a pre-arranged Returned Materials Authorization (RMA) number through the Customer Service Department. The damaged component may then be replaced if in compliance with warranty conditions.

Assembly:

- A. Assemble the left and right frames using the frame splice (Item #5) by depressing the snap buttons (Item #3) and sliding the tubes together until the buttons snap into place. Note the orientation of the strap.



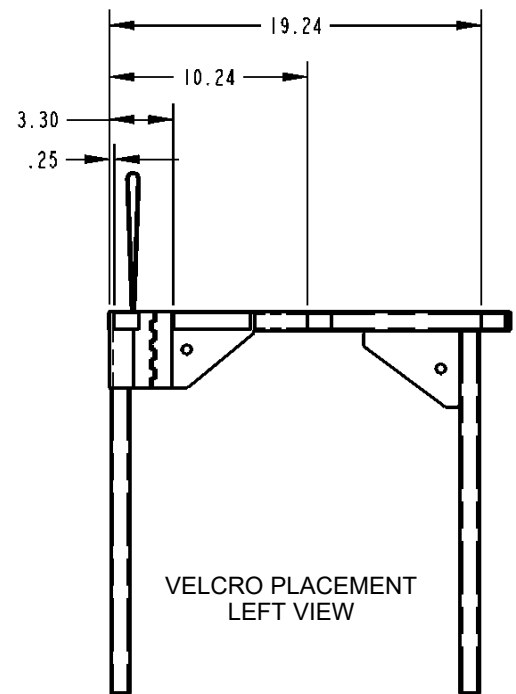
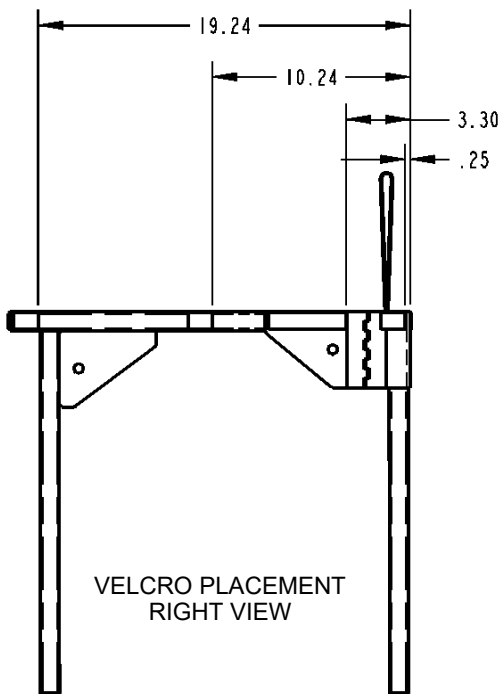
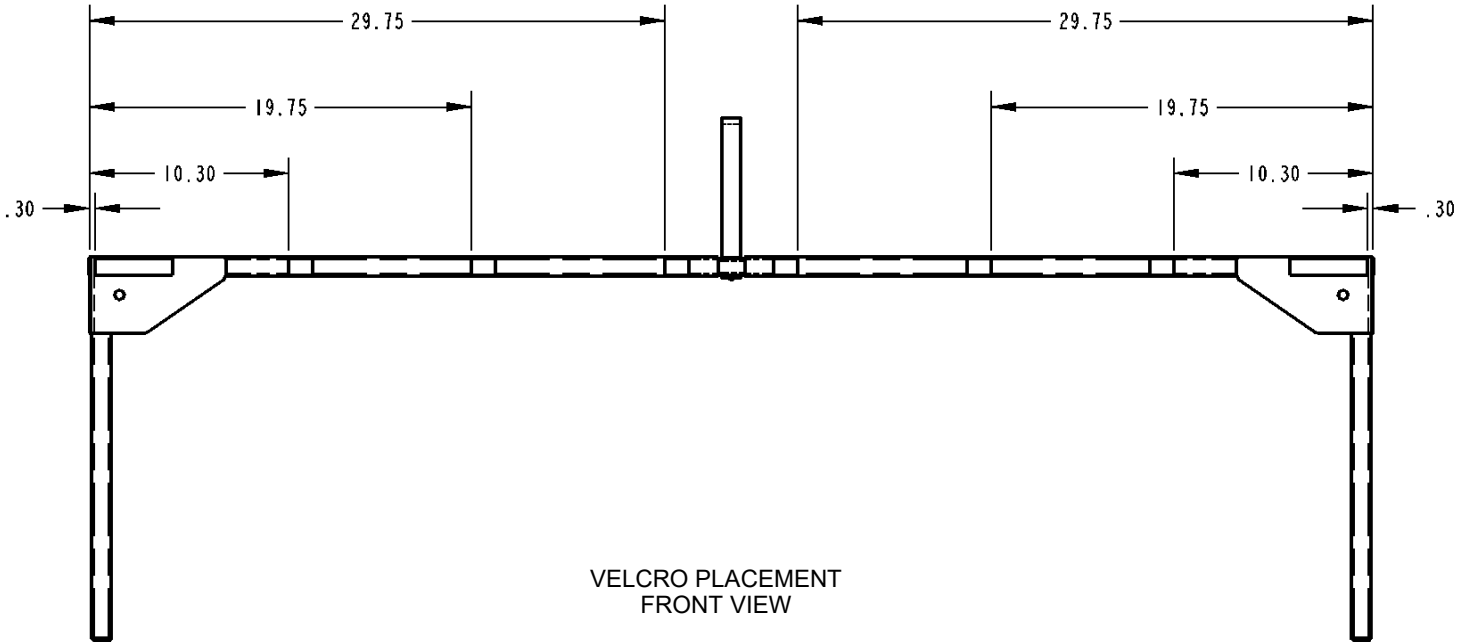
LINK® MODEL "CDS300" (7803A000) PARTS LIST

ITEM	PART #	DESCRIPTION	QTY
1	15070057	PLUG, 1 INCH SQ. X 18 GA	6
2	78034110	INSTRUCTIONS-INSTALLATION	1
3	1500-1149	BOX (21.75 X 2.75 X 34.00)	1
4	1506-0014	3/16 OPEN-END BLIND RIVETS	1
5	1506-0202	BUTTON-SNAP, SPRING LEG	2
6	1507-0321	HANDLE-STRAP	1
7	7803-0001	SPLICE-FRAME	1
8	7803-1001	FRAME-RIGHT	1
9	7803-1002	FRAME-LEFT	1
10	15070487	VELCRO HOOK AND LOOP 1" BULK (INCHES)	2.5

2. OPTIONAL: CDS300 SKIRTS

PART NUMBER	DESCRIPTION
78032002	SKIRT-CDS300 (NAVY BLUE)
78032003	SKIRT-CT400 (BORDEAUX)
78032004	SKIRT-CT400 (BLACK)
78032005	SKIRT-CT400 (HUNTER GREEN)

- A. Place Velcro supplied with skirt onto frame as shown.
- B. Call link Mfg. at 1800-248-3057 with any questions or comments.





223 15TH ST. NE, SIOUX CENTER, IA 51250
1-800-248-3057
www.linkmortuaryequipment.com