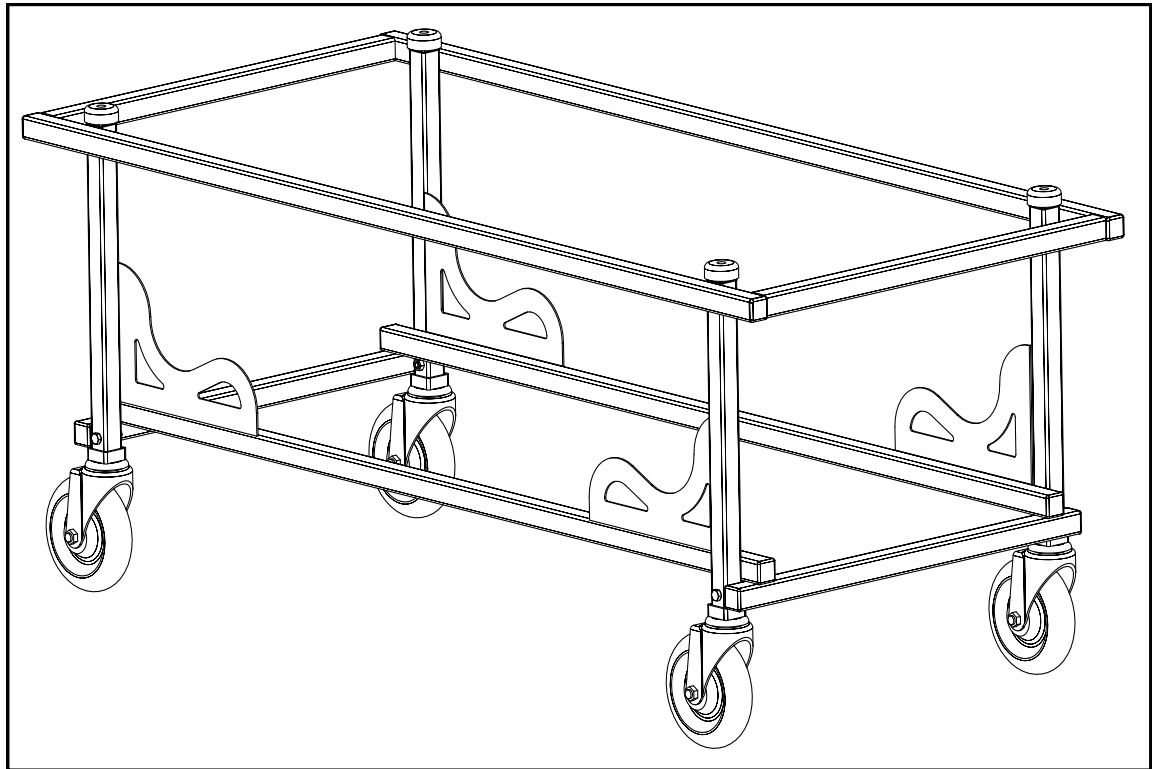


LINK[®] MORTUARY
EQUIPMENT

ASSEMBLY INSTRUCTIONS AND PARTS LIST

CT400 CASKET TRUCK (7803B000)



223 15th St. N.E.
Sioux Center, IA USA
51250-2120
www.linkmortuaryequipment.com

**QUESTIONS?
CALL CUSTOMER
SERVICE
1-800-248-3057**

Estimated weight : 37 lbs.

Link Mortuary Equipment, a division of Link Mfg., Ltd.
www.linkmortuaryequipment.com

78033009
AUG 4, 2023

IMPORTANT: IT IS IMPORTANT THAT THE ENTIRE INSTALLATION INSTRUCTIONS BE READ THOROUGHLY BEFORE PROCEEDING WITH THE INSTALLATION.

1. INTRODUCTION

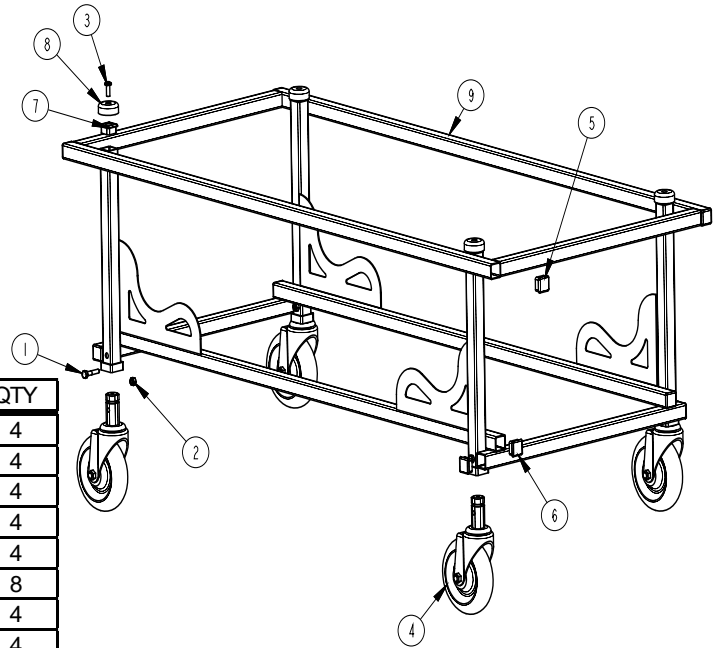
Thank you for choosing a Link Mortuary Equipment CT400 Casket Truck. We want to help you get the best results from this casket truck and to operate it safely. This instruction contains information to assist in the installation of the Link Mortuary Equipment CT400. This instruction is intended solely for use with this product.

All information in this instruction is based on the latest information available at the time of printing. Link Manufacturing reserves the right to change its products or manuals at any time without notice.

Damaged components should be returned to Link with a pre-arranged Returned Materials Authorization (RMA) number through the Customer Service Department. The damaged component may then be replaced if in compliance with warranty conditions.

Assembly:

- A. The casters of the CT400 are removed for shipping purposes. Insert the casters (Item #4) as shown below. Make sure the holes in the caster stems line up with the holes in the frame.
- B. Insert the provided fasteners (Items #1 and 2) through the holes and tighten to secure the casters to the casket truck.
- C. This product is rated for a load of **750 lbs. Max.**
- D. Call Link Mfg. at 1-800-248-3057 with any questions or comments.

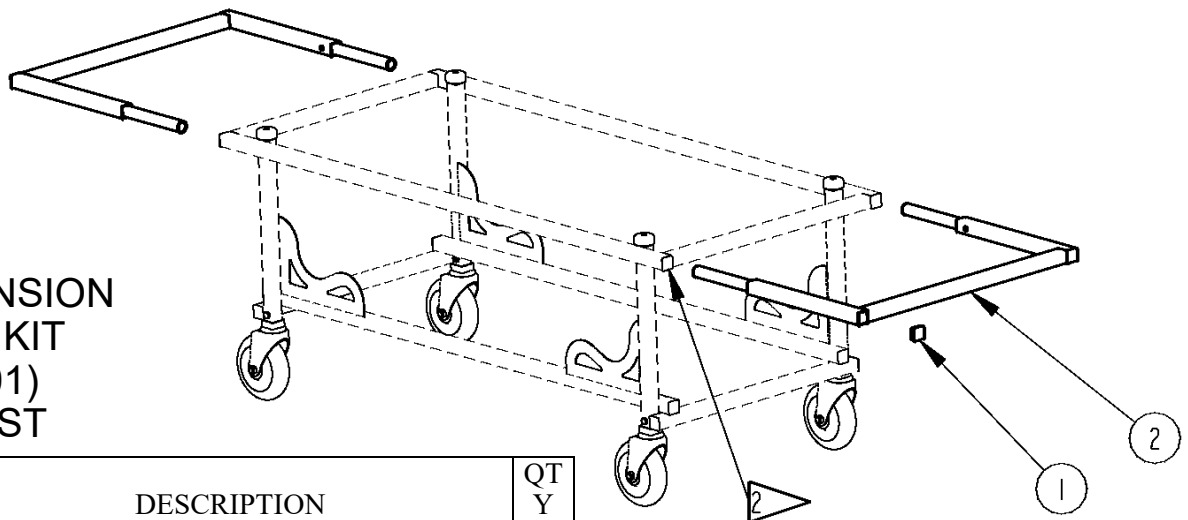


LINK® MODEL "CT400" (7803B000) PARTS LIST

ITEM	PART NUMBER	DESCRIPTION	QTY
1	1401-0810	1/4 X 1 1/4 UNC HEX CAP SCR (GR 5)	4
2	1476-0800	1/4 UNC HEX CTR LOCK NUT (GR B	4
3	14420806	1/4 X 3/4 UNC PAN HD PH MACH SCR, ZINC	4
4	15040035	CASTER-5 X 1 1/4	4
5	15070057	PLUG, 1 INCH SQ. X 18 GA	4
6	15070058	PLUG, 1 INCH SQ X 16 GA	8
7	15070059	CAP-INSERT, 1/4-20 THREADED 1" SQ X 16GA	4
8	15070407	BUMPER-RECESSED, 1.50 O.D. X .63 H	4

2. OPTIONAL ACCESSORIES

The optional Extension Bracket Kit (7803B001) can be slid into the CT400 Casket Truck as shown below to extend the frame.



LINK® EXTENSION BRACKET KIT (7803B001) PARTS LIST

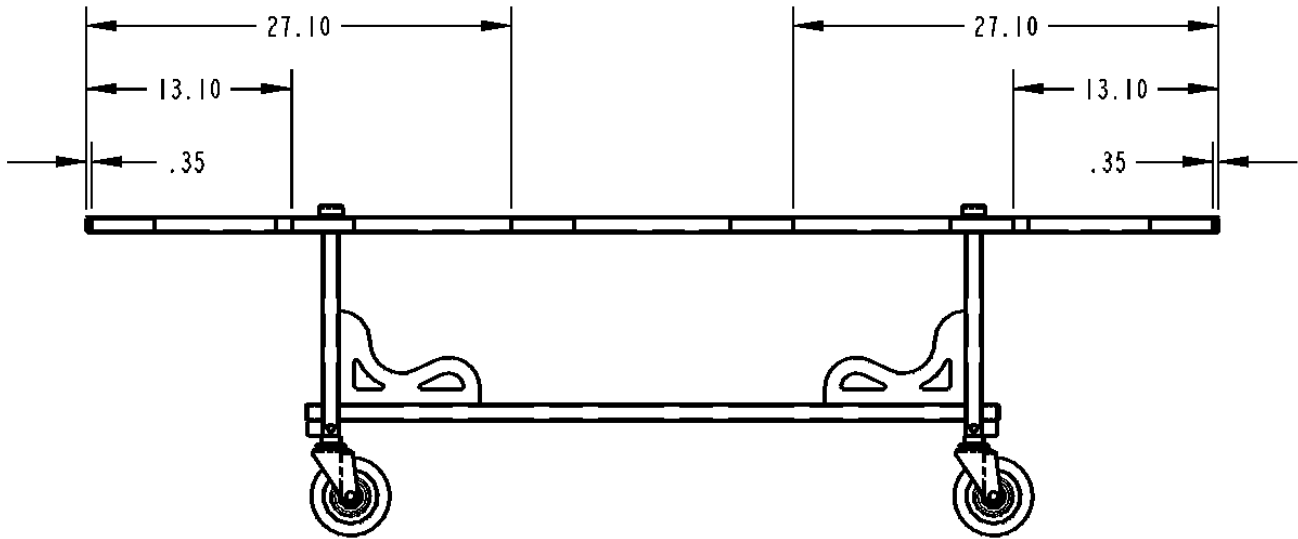
ITEM	PART#	DESCRIPTION	QTY
1	15070058	PLUG, 1INCH SQ X 16GA	4
2	78033015	BRACKET-EXTENSION	2

A 20 x 188" skirt (not shown) can then be wrapped around all four sides of the frame, It is attached using hook and loop (Velcro) around the perimeter (See Velcro attachment on this page)
 The following skirts are available:

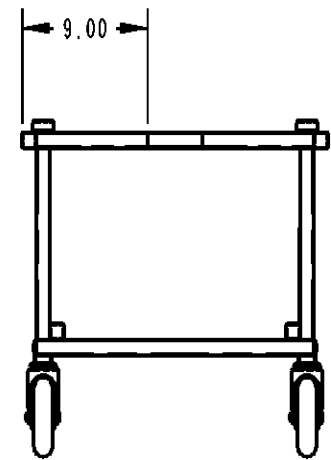
LINK® SKIRT OPTIONS

PART NUMBER	DESCRIPTION
78032006	SKIRT-CT400 (BORDEAUX)
78032007	SKIRT-CT400 (HUNTER GREEN)
78032008	SKIRT-CT400 (BLACK)
78032009	SKIRT-CDS300 (NAVY BLUE)

VELCRO PLACEMENT
 FRONT AND REAR VIEWS



VELCRO PLACEMENT LEFT
 AND RIGHT SIDE VIEWS





223 15TH ST. NE, SIOUX CENTER, IA 51250
1-800-248-3057
www.linkmortuaryequipment.com