

**LINK[®] MORTUARY
EQUIPMENT**

OPERATION/MAINTENANCE MANUAL

DD4000 (7225D002)



223 15th St. N.E.
Sioux Center, IA USA
51250-2120
www.linkmortuaryequipment.com

**QUESTIONS?
CALL CUSTOMER
SERVICE
1-800-248-3057**

The **Link DD4000** fits 2016 and newer Promaster 159 EXT van.

Link Mortuary Equipment, a division of Link Mfg., Ltd.
www.linkmortuaryequipment.com

72250076
AUG 3, 2023

IMPORTANT: IT IS IMPORTANT THAT THE ENTIRE INSTALLATION INSTRUCTIONS BE READ THOROUGHLY BEFORE PROCEEDING WITH THE INSTALLATION.






1. INTRODUCTION

Thank you for choosing a Link Mortuary Equipment DD4000. We want to help you get the best results from this deck system and to operate it safely. This manual contains information to assist in the installation and operation of your Link Mortuary Equipment DD4000. This instruction is intended solely for use with this product.









All information in this instruction is based on the latest information available at the time of printing. Link Manufacturing reserves the right to change its products or manuals at any time without notice.

Damaged components should be returned to Link with a pre-arranged Returned Materials Authorization (RMA) number through the Customer Service Department. The damaged component may then be replaced if in compliance with warranty conditions.

2. SAFETY SYMBOLS, TORQUE SYMBOL, and NOTES





 DANGER	DANGER indicates a hazardous situation which if not avoided, will result in death or serious injury.
 WARNING	WARNING indicates a potentially hazardous situation which, if not avoided, could result in death or serious injury.
 CAUTION	CAUTION indicates a potentially hazardous situation which, if not avoided, could result in minor or moderate injury.
 NOTICE	NOTICE indicates a potentially hazardous situation which, if not avoided, may result in property damage.
 TORQUE	TORQUE indicates named fasteners are to be tightened to a specified torque value.
NOTE:	A Note provides information or suggestions that help you correctly perform a task.

3. SAFE WORKING PRACTICES

-  **CAUTION** When handling parts, wear appropriate gloves, eyeglasses, ear protection, and other safety equipment.
-  **CAUTION** Proper tightening of fasteners is important to the performance and safety of the suspension. Follow all torque specifications throughout the instructions.
-  **CAUTION** The operation of the DD4000 Double Deck transport system involves moving parts.
-  **CAUTION** During the course of travel pinch points may exist between components.
-  **CAUTION** Keep hands and fingers clear of moving components during operation.
-  **CAUTION** Practice safe lifting procedures.
-  **CAUTION** The deck weldments are heavy, and can cause injury if lifted improperly or dropped. Consider size, shape, and weight of objects being moved.
-  **CAUTION** Obtain help or the assistance of a crane when lifting heavy assemblies. Make certain the path of travel is clear.

2. OPERATION GUIDELINES

- 4.1 In order for this deck to operate properly, it must operate in the parameters specified by Link.
- 4.2 No alterations of any Link deck component is permitted without proper authorization from qualified Link personnel.

-  **WARNING** The DD4000 Double Deck transport system is intended for use moving only caskets.
-  **WARNING** Using the DD4000 to transport passengers, or other cargo may result in injury or death.
-  **WARNING** The DD4000 Double Deck should never be operated while a person is in the vehicle cargo area, or on either deck.
-  **WARNING** Operating the deck while a person is in the cargo area could result in injury or death.

5. OPERATION

⚠ WARNING Make certain the vehicle is in park and the parking brake is engaged before loading / unloading the vehicle.

⚠ WARNING Vehicle movement during loading / unloading could cause operator injury or death.

⚠ WARNING The capacity of the top deck is **600 pounds maximum**, evenly distributed.

⚠ WARNING Loading beyond the capacity may result in equipment damage or failure that may result in injury or death.

⚠ CAUTION Lift the yellow latch handle to disengage the upper deck latch before lowering the upper deck.

⚠ CAUTION Failure to disengage the latch before attempting to lower the upper deck may result in equipment damage.

5.1 Top Deck Controls & Operation

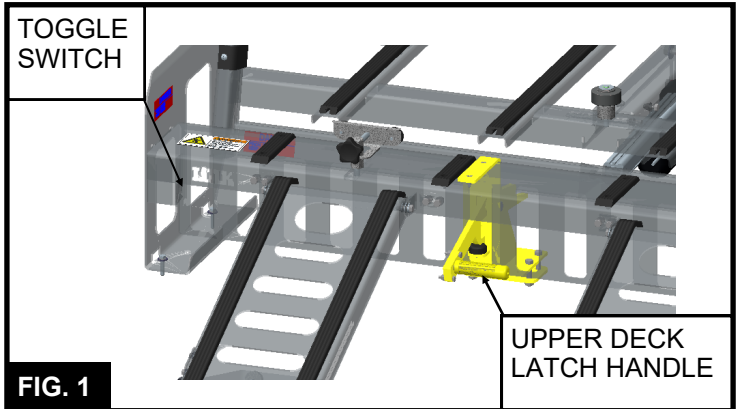
Immediately inside the rear doors on the driver's side is the operation toggle switch.

Operation:

- Push the toggle switch up to raise the deck.
- After raising the yellow handle to disengage the upper deck latch (**See FIG. 1**), push the toggle switch down to lower the deck.

5.2 Loading / Unloading Procedure

1. With the vehicle in park and the parking brake secured, open the rear door of the vehicle.
2. Fold down the rear ramp.
3. If the top deck is to be used and is in the up position, raise and hold the yellow handle to disengage the upper deck latch, and then lower the top deck by pushing the toggle switch to the "Down" position.



⚠ CAUTION Make certain that the load is properly secured by tightening the bier pin(s).

⚠ CAUTION Caskets placed on both the top and bottom deck are prevented from lateral movement by the friction of the front bumpers combined with the clamping force of the bier pin.

4. Slide the items to be transported on to the top deck, taking care to evenly distribute the load as best as possible. Secure items with the bier pins.
5. Raise the top deck by pushing the toggle switch to the "Up" position.
6. Place items to be transported on the bottom deck, taking care to properly secure the load.
7. Raise the rear ramps.
8. Close the rear doors.
9. Reverse the procedure for unloading.

6. MAINTENANCE

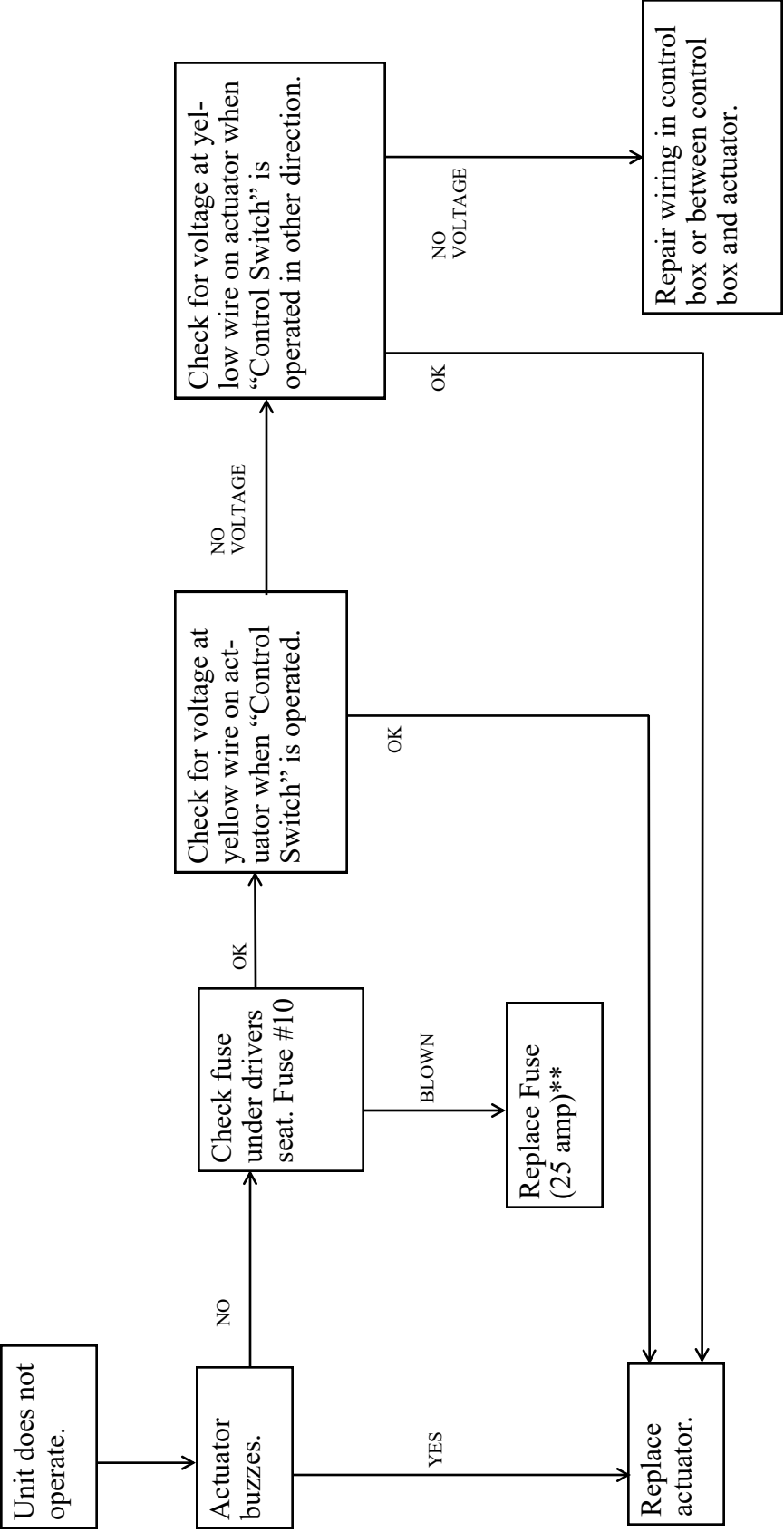
The DD4000 is designed to last for many years without any major maintenance. Annually, check the following items:

- Check tightness of all fasteners. (Refer to Torque Table below)
- Check for wear at all pivots on the framework and actuator linkage.
- Check for cracks in framework.

See the following page for the **DD4000 Electrical Troubleshooting Diagram**.

TORQUE

TORQUE TABLE	
FASTENER	TORQUE
3/8-UNC NUTS	44 FT-LBS
7/16-UNC NUTS	70 FT-LBS
1/2-UNC NUTS	106 FT-LBS

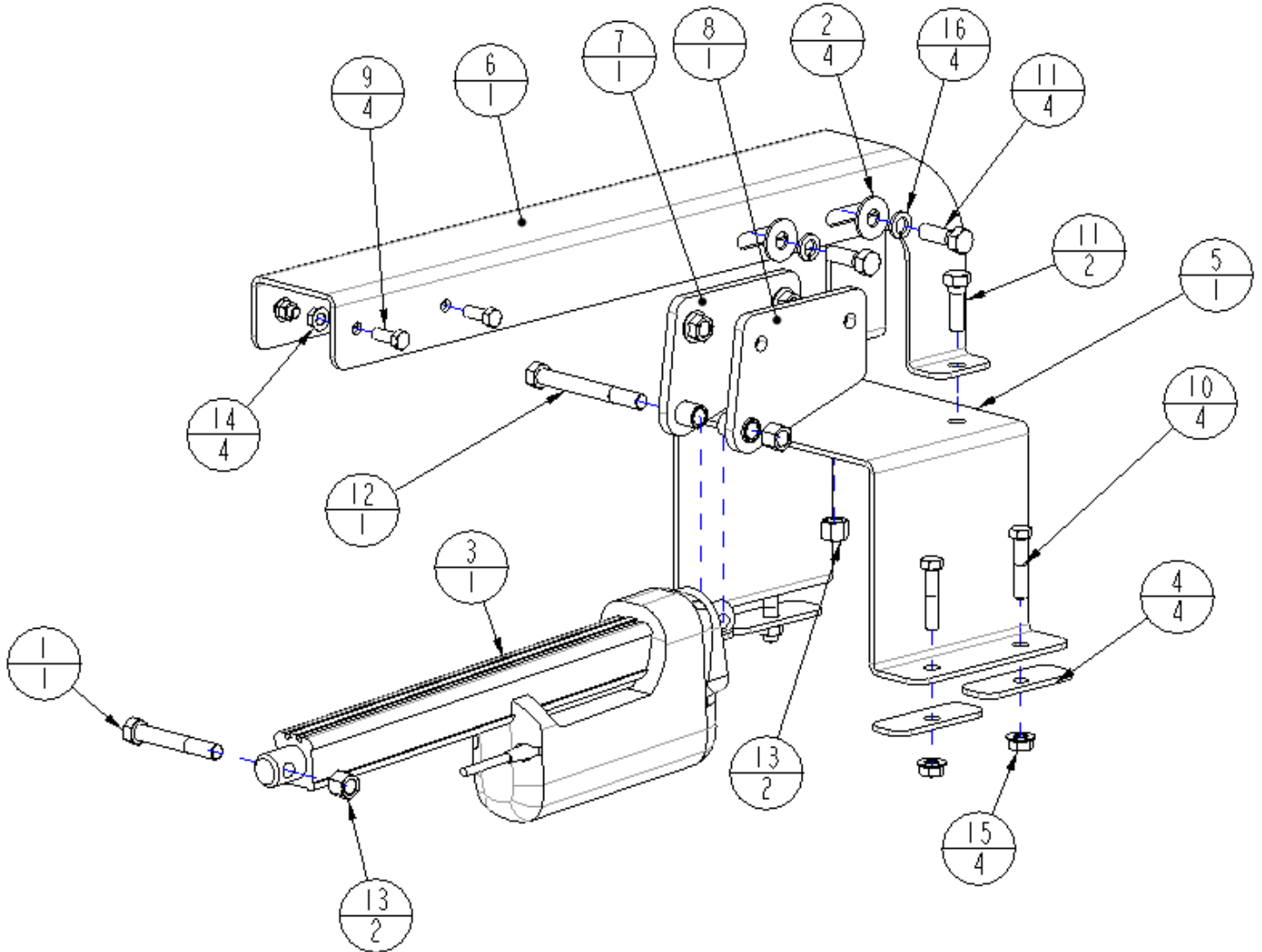


DD4000 Electrical Troubleshooting Diagram

** See owners manual for proper fuse type.

DD4000 PARTS

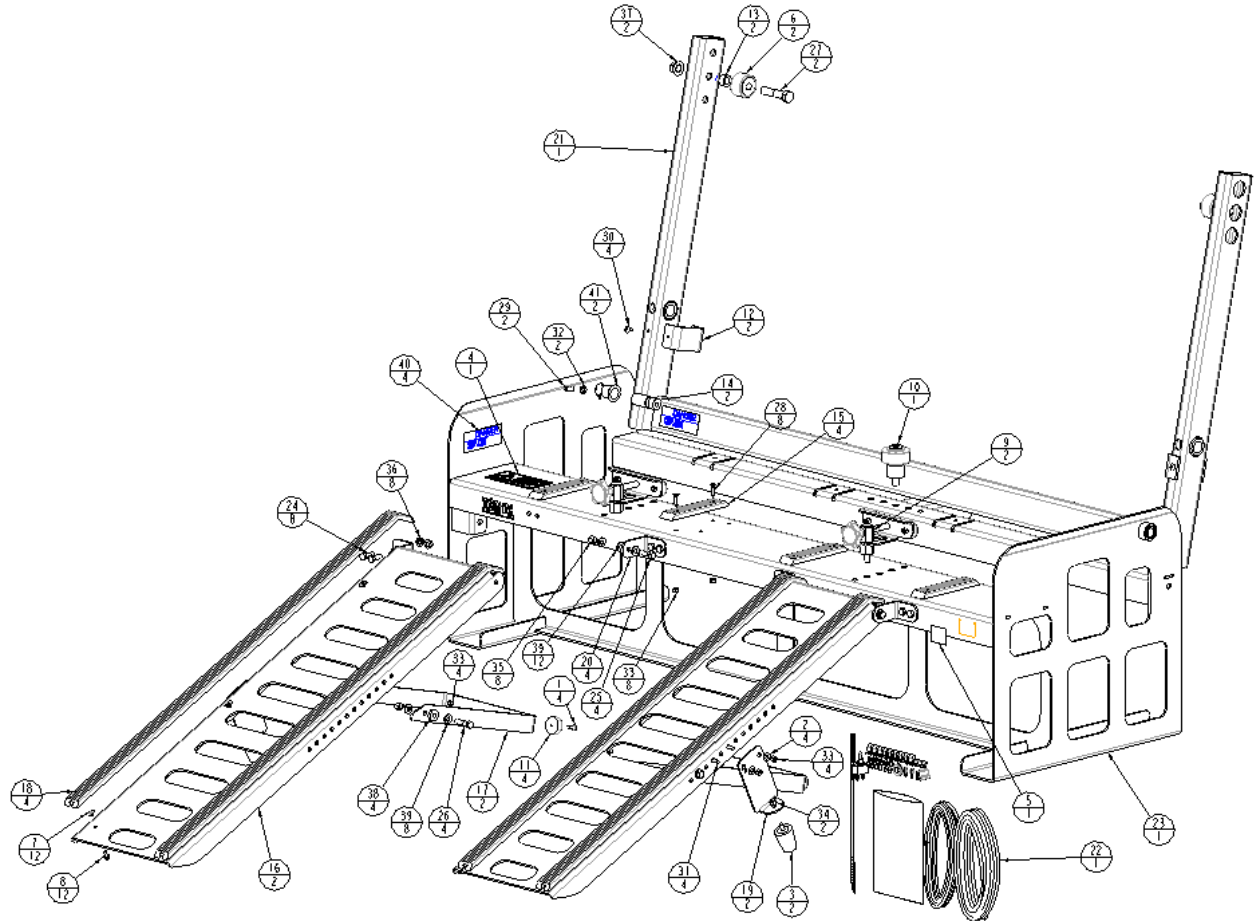
Actuator Mount Assembly



ITEM	PART #	DESCRIPTION	QTY
1	14011628	1/2 X 3 1/2 UNC HEX CAP SCR (GR 5)	1
2	14871600	1/2 TYPE A PLAIN WASHER	4
3	15040314	ACTUATOR, 12V, 300MM STROKE, 6800N	1
4	72250052	PLATE-WASHER	4
5	72250089	BRACKET-MOUNT	1
6	72252030	CHANNEL-MOUNT, ACTUATOR	1
7	72252107	WELDMENT-MOUNT, ACTUATOR	1
8	72252108	WELDMENT-MOUNT, ACTUATOR	1
9	14011208	3/8 X 1 UNC HEX CAP SCR (GR 5)	4
10	14011416	7/16 X 2 UNC HEX CAP SCR (GR 5)	4
11	14011612	1/2 X 1 1/2 UNC HEX CAP SCR (GR 5)	6
12	14011636	1/2 X 4 1/2 UNC HEX CAP SCR (GR 5)	1
13	14781600	1/2 UNC HEX NYLOCK NUT (GR B)	4
14	14801200	3/8 UNC SERRATED FLANGE NUT	4
15	14801400	7/16 UNC SERRATED FLANGE NUT	4
16	14851600	1/2 LOCK WASHER	4

DD4000 PARTS

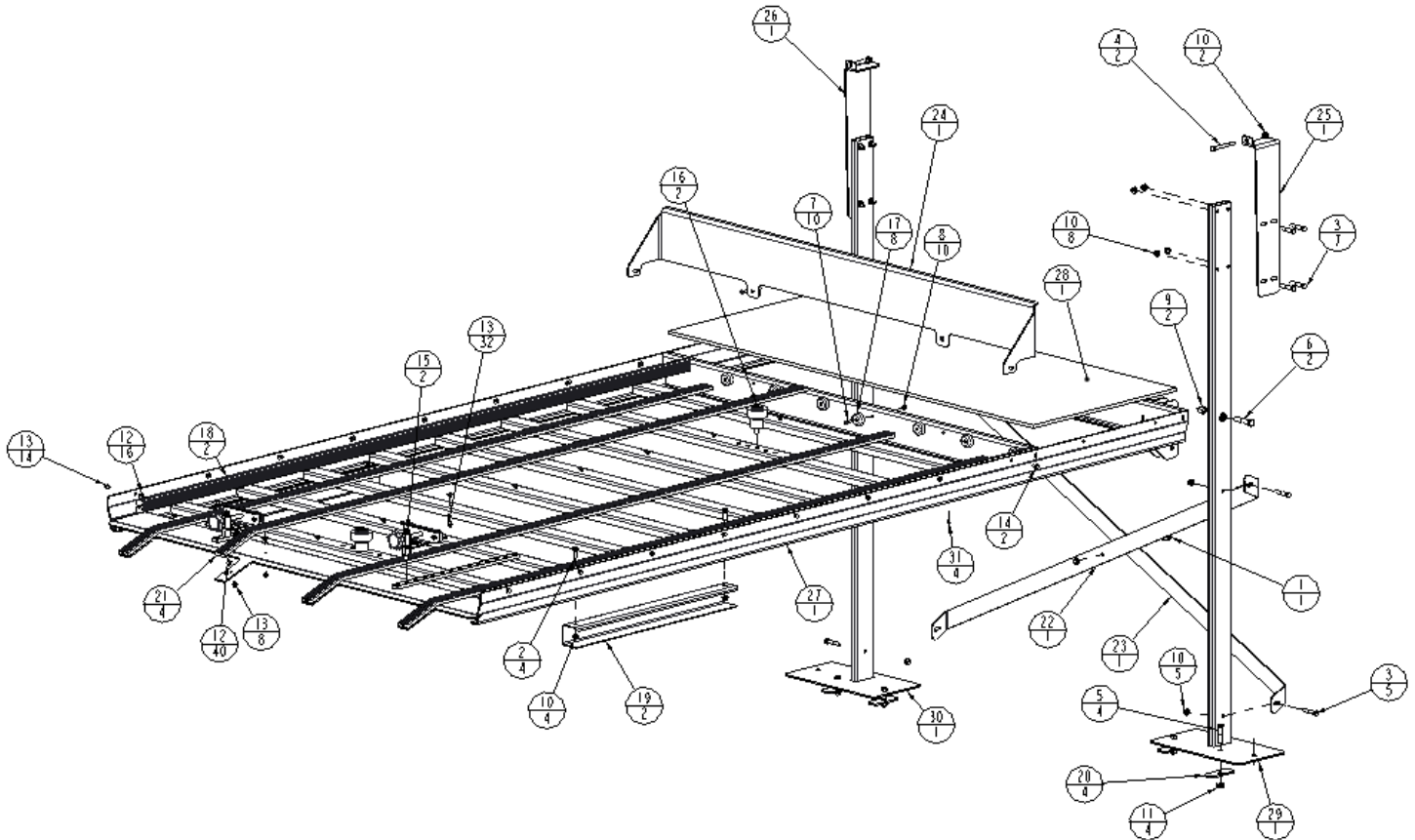
Rear Weldment Assembly



ITEM	PART #	DESCRIPTION	QTY	ITEM	PART #	DESCRIPTION	QTY
1	14420806	1/4 X 3/4 UNC PAN HD PH MACH SCR, ZINC	4	22	72252109	KIT-ELECTRICAL, DD4000	1
2	14870800	1/4 TYPE A PLAIN WASHER	4	23	72252115	WELDMENT-BOTTOM	1
3	15000005	BUMPER-NEOPRENE RUBBER	2	24	14011208	3/8 X 1 UNC HEX CAP SCR (GR 5)	8
4	15001375	LABEL-WARNING, DOUBLE DECK	1	25	14011210	3/8 X 1 1/4 UNC HEX CAP SCR (GR 5)	4
5	15001380	LABEL-ID	1	26	14011212	3/8 X 1 1/2 UNC HEX CAP SCR (GR 5)	4
6	15040312	ROLLER-TRACK	2	27	14012022	5/8 X 2 3/4 UNC HEX CAP SCR (GR 5)	2
7	15060054	1/4-20 X 1/4 SLAB BASE WELD NUT	16	28	14150808	1/4 X 1 UNC SLTD FTHTD CSK MACH SCR	8
8	15060418	1/4 X 3/8 FLANGE HEAD BOLT	16	29	14401207	3/8 X 7/8 UNC HEX SOCKET SET SCREW	2
9	15070275	PIN-BIER, ADJUSTABLE	2	30	144C0804	1/4 X 1/2 UNC TRUSS HD PH MACH SCR, SS	4
10	15070303	ROLLER-BIER	1	31	144C0806	1/4 X 3/4 UNC TRUSS HD PH MACH SCR, SS	4
11	15070407	BUMPER-RECESSED, 1.50 O.D. X .63 H	4	32	14741200	3/8 UNC HEX JAM NUT	2
12	15070477	BUMPER-.25 X 2.00 X 5.63	2	33	14780800	1/4 UNC HEX NYLOCK NUT (GR B)	16
13	72250047	BUSHING-SPACER	2	34	14781000	5/16 UNC HEX NYLOCK NUT (GR B)	2
14	72250048	PIN-PIVOT	2	35	14781200	3/8 UNC HEX NYLOCK NUT (GR B)	8
15	72250065	GLIDE STRIP	4	36	14801200	3/8 UNC SERRATED FLANGE NUT	8
16	72250090	PLATE-RAMP	2	37	14802003	5/8 UNC TOP LOCK FL NUT (GR G)	2
17	72250091	LEG-RAMP	2	38	14910003	NYLON WASHER	4
18	72250093	GLIDE STRIP	4	39	14916405	WASHER-NYLON	20
19	72250099	BRACKET-BUMBER,RAMP	2	40	15001311	DECAL-PINCH POINT	4
20	72252019	BRACKET-MOUNT, RAMP	4	41	15040092	FLANGED BEARING (THOMSON TYPE 6)	2
21	72252101	ARM-LIFT	1				

DD4000 PARTS

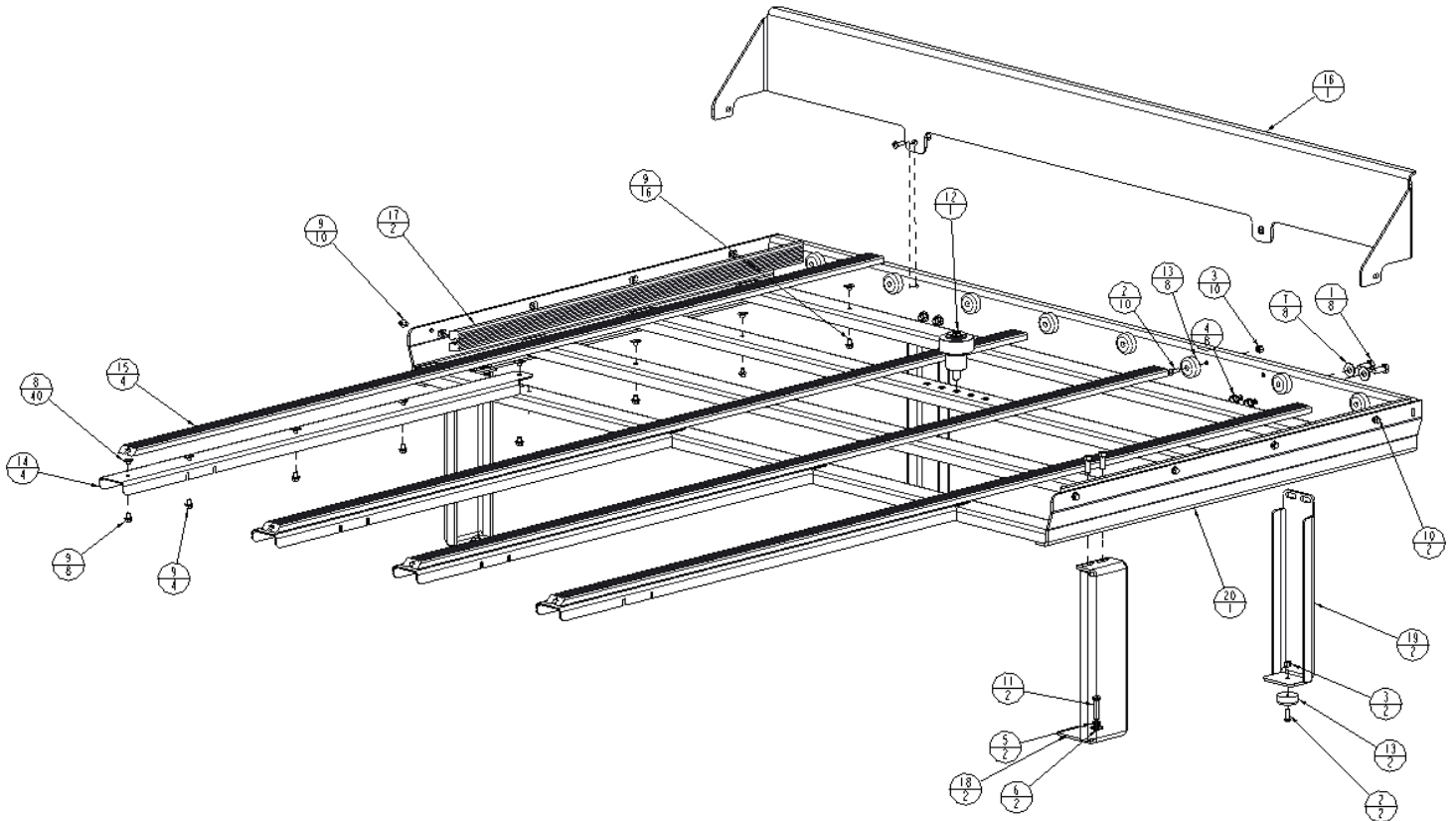
Upper Deck Assembly



ITEM	PART #	DESCRIPTION	QTY	ITEM	PART #	DESCRIPTION	QTY
1	14011206	3/8 X 3/4 UNC HEX CAP SCR (GR 5)	1	17	15070407	BUMPER-RECESSED, 1.50 O.D. X .63 H	8
2	14011208	3/8 X 1 UNC HEX CAP SCR (GR 5)	4	18	72250036	GLIDE STRIP	2
3	14011216	3/8 X 2 UNC HEX CAP SCR (GR 5)	12	19	72250045	CHANNEL-TRACK, ROLLER	2
4	14011228	3/8 X 3 1/2 UNC HEX CAP SCR (GR 5)	2	20	72250052	PLATE-WASHER	4
5	14011416	7/16 X 2 UNC HEX CAP SCR (GR 5)	4	21	72250063	GLIDE STRIP	4
6	14011620	1/2 X 2 1/2 UNC HEX CAP SCR (GR 5)	2	22	72250070	STRAP-BRACE	1
7	14420806	1/4 X 3/4 UNC PAN HD PH MACH SCR, ZINC	10	23	72250071	STRAP-BRACE	1
8	14780800	1/4 UNC HEX NYLOCK NUT (GR B)	10	24	72250074	CATCH-FRONT, UPPER	1
9	14781600	1/2 UNC HEX NYLOCK NUT (GR B)	2	25	72250085	BRACKET-ROOF	1
10	14801200	3/8 UNC SERRATED FLANGE NUT	19	26	72250086	BRACKET-ROOF	1
11	14801400	7/16 UNC SERRATED FLANGE NUT	4	27	72251009	WELDMENT-DECK, TOP	1
12	15060054	1/4-20 X 1/4 SLAB BASE WELD NUT	56	28	72252010	BOARD-DECK	1
13	15060418	1/4 X 3/8 FLANGE HEAD BOLT	54	29	72252116	POST-SUPPORT, DECK	1
14	15060420	1/4 X 5/8 FLANGE HEAD BOLT	2	30	72252117	POST-SUPPORT, DECK	1
15	15070275	PIN-BIER, ADJUSTABLE	2	31	14590C06	NO 8 X .375 CR PN HD TAPPING SCR	4
16	15070303	ROLLER-BIER	2		15060420	1/4 X 5/8 FLANGE HEAD BOLT	2

DD4000 PARTS

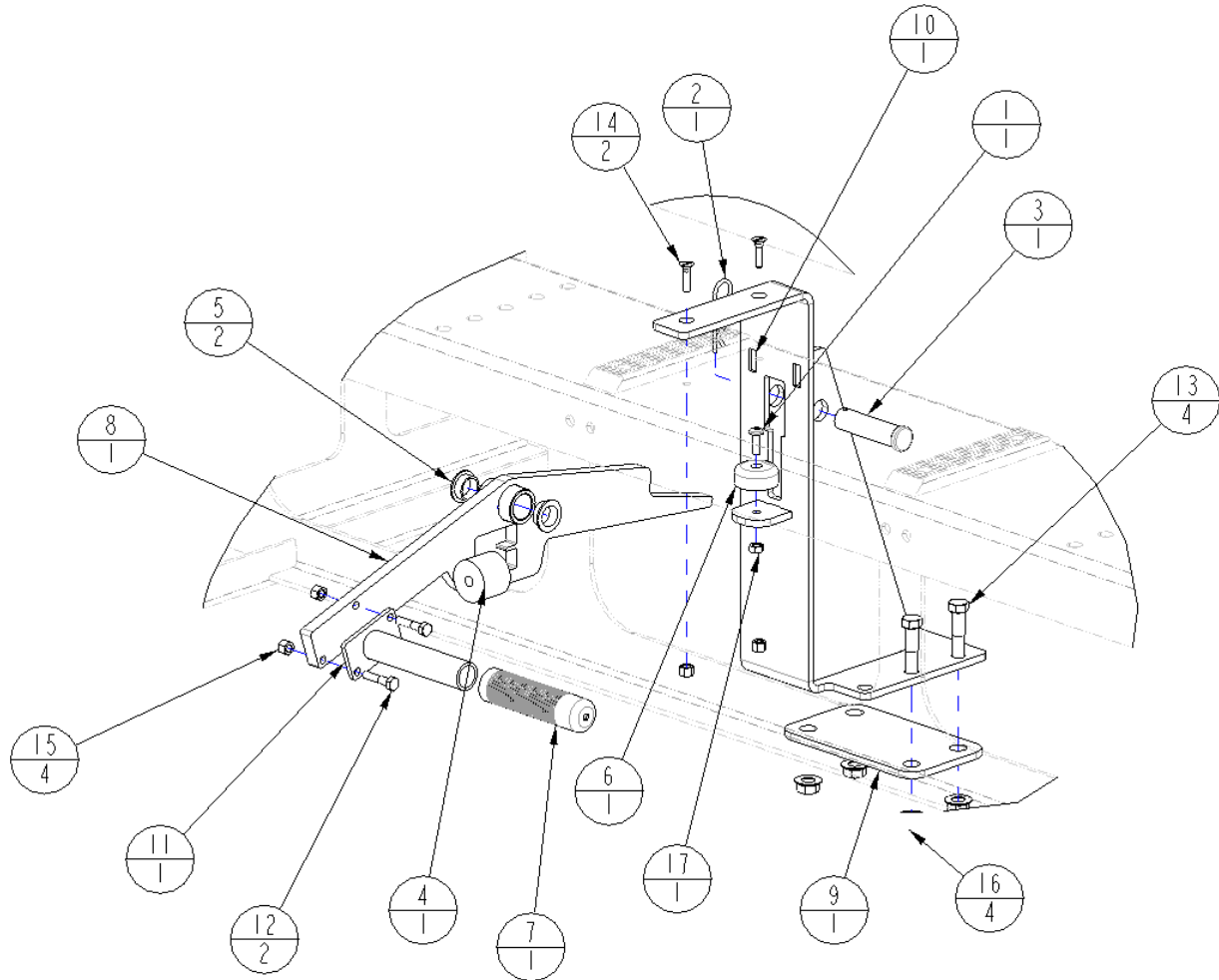
Lower Deck Assembly



ITEM	PART #	DESCRIPTION	QTY	ITEM	PART #	DESCRIPTION	QTY
1	14011208	3/8 X 1 UNC HEX CAP SCR (GR 5)	8	11	15060450	HEX CAP SCREW, M8 X 1.25 X 40, CLASS 10.9	2
2	14420806	1/4 X 3/4 UNC PAN HD PH MACH SCR, ZINC	12	12	15070303	ROLLER-BIER	1
3	14780800	1/4 UNC HEX NYLOCK NUT (GR B)	12	13	15070407	BUMPER-RECESSED, 1.50 O.D. X .63 H	10
4	14801200	3/8 UNC SERRATED FLANGE NUT	8	14	72250039	CHANNEL-SUPPORT, GLIDE	4
5	14851000	5/16 LOCK WASHER	2	15	72250049	GLIDE STRIP	4
6	14871000	5/16 TYPE A PLAIN WASHER	2	16	72250075	CATCH-FRONT, LOWER	1
7	14871200	3/8 TYPE A PLAIN WASHER	8	17	72250080	GLIDE STRIP	2
8	15060054	1/4-20 X 1/4 SLAB BASE WELD NUT	40	18	72250087	BRACKET	2
9	15060418	1/4 X 3/8 FLANGE HEAD BOLT	38	19	72250088	BRACKET-SUPPORT, DECK	2
10	15060420	1/4 X 5/8 FLANGE HEAD BOLT	2	20	72252105	DECK-BOTTOM	1

DD4000 PARTS

Deck Latch Assembly



ITEM	PART #	DESCRIPTION	QTY
1	14420806	1/4 X 3/4 UNC PAN HD PH MACH SCR, ZINC	1
2	14490002	PIN-COTTER, 1/8 X 2 1/2	1
3	14510004	PIN-CLEVIS, 3" X 3/4"	1
4	15000929	BUMPER-SPRING	1
5	15040098	BUSHING-PIVOT, NYLON, 3/8	2
6	15070407	BUMPER-RECESSED, 1.50 O.D. X .63 H	1
7	15070476	GRIP-VINYL, ROUND	1
8	72251031	WELDMENT-HANDLE, LATCH	1
9	72251033	PLATE-BACKING	1
10	72252118	WELDMENT-MOUNT, LATCH	1
11	78552213	HANDLE-RAMP	1
12	1401-0810	1/4 X 1 1/4 UNC HEX CAP SCR (GR 5)	2
13	1401-1416	7/16 X 2 UNC HEX CAP SCR (GR 5)	4
14	1415-0808	1/4 X 1 UNC SLTD FTHD CSK MACH SCR	2
15	1478-0800	1/4 UNC HEX NYLOCK NUT (GR B)	4
16	1480-1400	7/16 UNC SERRATED FLANGE NUT	4
17	1484-0810	1/4 UNC HEX CTR LOCK NUT, SS	1



223 15TH ST. NE, SIOUX CENTER, IA 51250
1-800-248-3057
www.linkmortuaryequipment.com