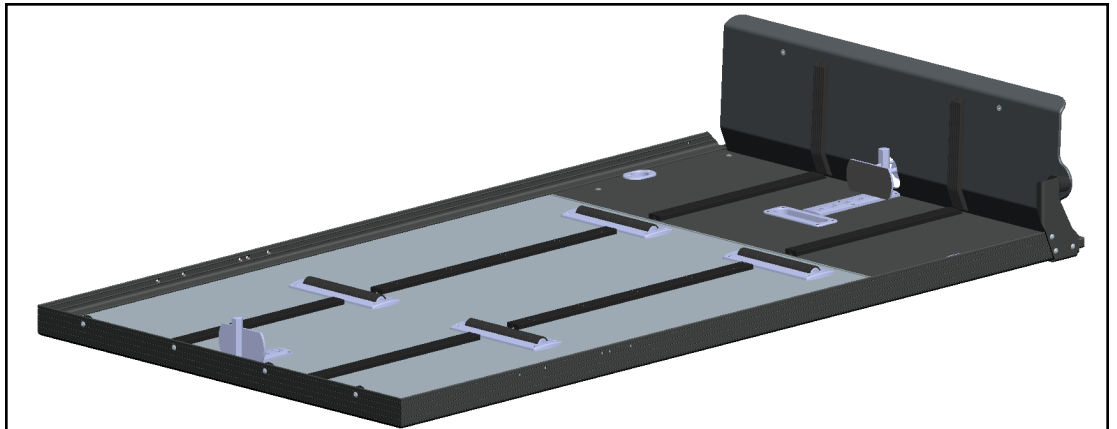


**LINK**<sup>®</sup> MORTUARY  
EQUIPMENT

# INSTALLATION INSTRUCTIONS

**UNIVERSAL MINI VAN  
SS150 (7124B001)  
SS150XL (7124B000)**



The **Link SS150** fits the 2005+ Honda Odyssey, 2006+ Hyundai Entourage, 2004+ Toyota Sienna, 2009+ Chrysler Town and Country, Dodge Grand Caravan, 2004-2009 Nissan Quest, 2017+ Chrysler Pacifica, Mercedes Metris Cargo van 2016+, 2022+ Kia Carnival

Estimated weight : 145 lbs.

Link Mortuary Equipment, a division of Link Mfg., Ltd.  
[www.linkmortuaryequipment.com](http://www.linkmortuaryequipment.com)

223 15th St. N.E.  
Sioux Center, IA USA  
51250-2120  
[www.linkmortuaryequipment.com](http://www.linkmortuaryequipment.com)

**QUESTIONS?  
CALL CUSTOMER  
SERVICE  
1-800-248-3057**

71243110  
JAN 25, 2024

# LINK® MODEL “SS150 & SS150XL”

Thank you for choosing a Link Mortuary Equipment Products SS150/SS150XL deck system. We want to help you to get the best results from the deck and to operate it safely. This manual contains information to introduce you to the the Link Mortuary Equipment SS150/SS150XL and to assist you with its operation. The manual is intended solely for use with this product.

All information in this manual is based on the latest information available at the time of printing. Link reserves the right to change its products or manuals at any time without notice. Contact Link Mortuary Equipment at (800) 248-3057 for information on recent changes to products.

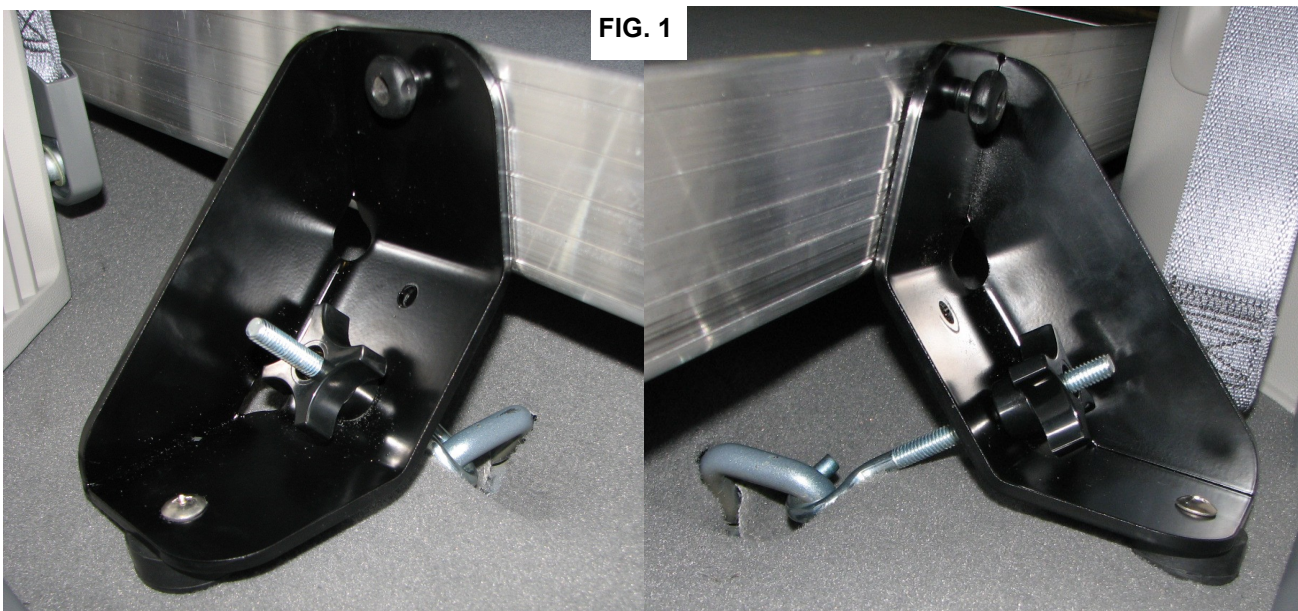
Defective or damaged components should be returned to Link with a pre-arranged Returned Goods Authorization (RGA) number through the Customer Service Department. The damaged or defective component (s) may then be replaced if in compliance with warranty conditions.

## **Installation:**

- A. The ramp assembly is installed backwards for shipping. Remove, reverse, and reinstall the ramp assembly as shown in Fig. 5. The SS150 and SS150XL are shipped with the bier pins and hardware kit attached to the deck. Remove these items and set aside for future use.
- B. On the SS150XL, the rollers are removed from the housing for shipping. Reinstall the rollers by pressing them back into the housing.
- C. Remove or stow the van’s seats per vehicle manufacturer’s instructions.
- D. Position the deck inside the van. Select the location closest to the seat mounting rails. Anchor the deck loosely to the vehicle’s seat mounting rails using the supplied J-hooks, brackets and knobs (Fig 1). See pages 8 through 13 for details of the bracket mounting kits for different vehicles.
- E. Verify the deck location by checking the ramp assembly for function. Check for fit with the bumper and verify clearance with all parts of the van, including the rear door when closed. Reposition the deck slightly if needed.
- F. Securely tighten all fasteners to prevent deck movement. Re-check the ramp assembly for operation.

## **Maintenance:**

- A. Clean with soap and water or window cleaner.
- B. Call Link Mfg. (800) 248-3057 with any questions or comments.



**Installation: 2017+ Chrysler Pacifica**

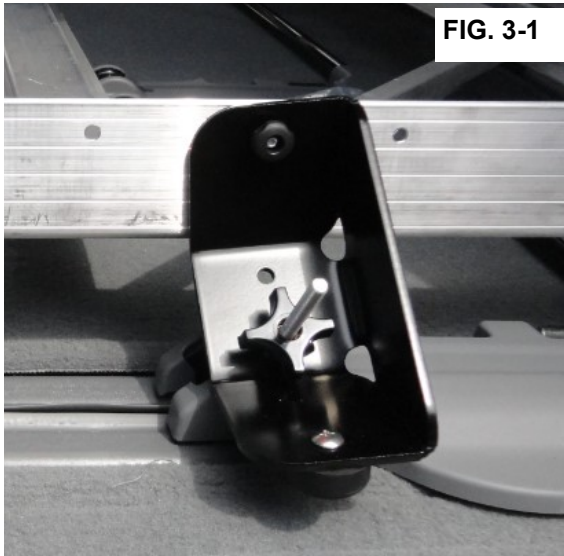
- A. The ramp assembly is installed backwards for shipping. Remove, reverse, and reinstall the ramp assembly as shown in Fig. 5. The SS150 and SS150XL are shipped with the bier pins and hardware kit attached to the deck. Remove these items and set aside for future use.
- B. On the SS150XL, the rollers are removed from the housing for shipping. Reinstall the rollers by pressing them back into the housing.
- C. Remove or stow the van's seats per vehicle manufacturer's instructions.
- D. Position the mount bracket so that the notches are over the vents and the rear seat catches (Fig 2-1 and 2-2). Anchor the mount bracket to the vehicle's seat mounting catches using the supplied J-hooks, and knobs. See page 12 for details of the bracket mounting kits for vehicle.
- E. Position deck inside van and attach to the mount bracket. Securely tighten all fasteners to prevent deck movement.
- F. Verify the deck location by checking the ramp assembly for function. Check for fit with the bumper and verify clearance with all parts of the van, including the rear door when closed. Reposition the deck if needed.





**Installation: 2010-2020 Toyota Sienna**

- A. The ramp assembly is installed backwards for shipping. Remove, reverse, and reinstall the ramp assembly as shown in Fig. 5. The SS150 and SS150XL are shipped with the bier pins and hardware kit attached to the deck. Remove these items and set aside for future use.
- B. On the SS150XL, the rollers are removed from the housing for shipping. Reinstall the rollers by pressing them back into the housing.
- C. Remove or stow the van's seats per vehicle manufacturer's instructions.
- D. Position the mount bracket so that the notches are over the vents and the rear seat catches (Fig 3-3). Anchor the mount bracket to the vehicle's seat mounting catches using the supplied J-hooks, and knobs. The bumper does not make contact with the floor (Fig 3-1 and Fig 3-2). See page 11 for details of the bracket mounting kits for vehicle.
- E. Position deck inside van and attach to the mount bracket. Securely tighten all fasteners to prevent deck movement.
- F. Verify the deck location by checking the ramp assembly for function. Check for fit with the bumper and verify clearance with all parts of the van, including the rear door when closed. Reposition the deck if needed.

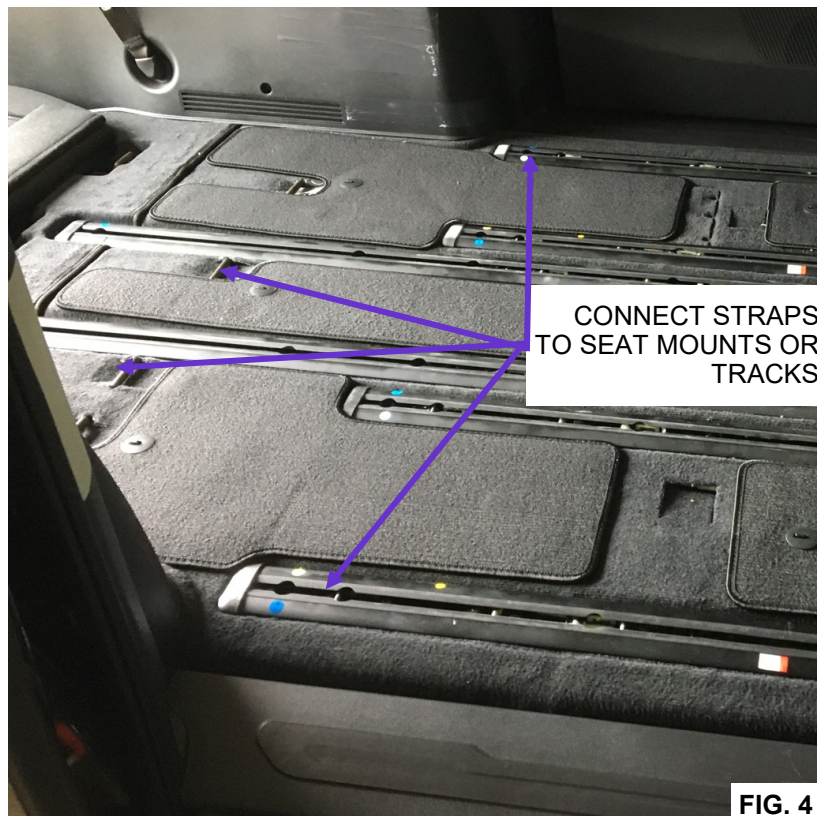


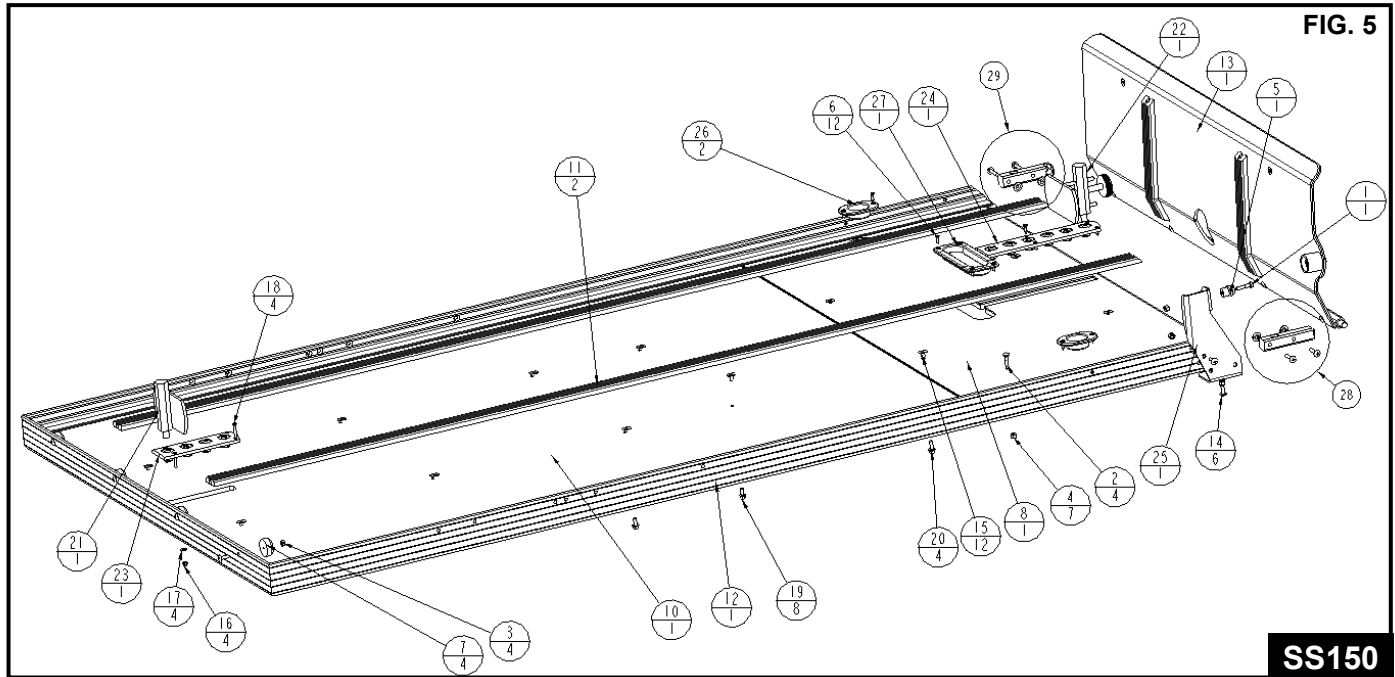
**Installation: 2021+ Toyota Sienna**

- A. The ramp assembly is installed backwards for shipping. Remove, reverse, and reinstall the ramp assembly as shown in Fig. 5. The SS150 and SS150XL are shipped with the bier pins and hardware kit attached to the deck. Remove these items and set aside for future use.
- B. On the SS150XL, the rollers are removed from the housing for shipping. Reinstall the rollers by pressing them back into the housing.
- C. Attach the rear supports to the deck. Securely tighten all fasteners to prevent deck movement.
- D. Remove the van's middle seats and stow the rear seats per the vehicle manufacturer's instructions.
- E. Position deck inside van and attach to the front mount bracket. Securely tighten all fasteners to prevent deck movement.
- F. Insert the J-hook into the seat channel and rotate to secure it. Tighten the J-hook to the brackets using the plastic knobs.
- G. Verify the deck location by checking the ramp assembly for function. Check for fit with the bumper and verify clearance with all parts of the van, including the rear door when closed. Reposition the deck if needed.

### **Installation: 2022+ Kia Carnival**

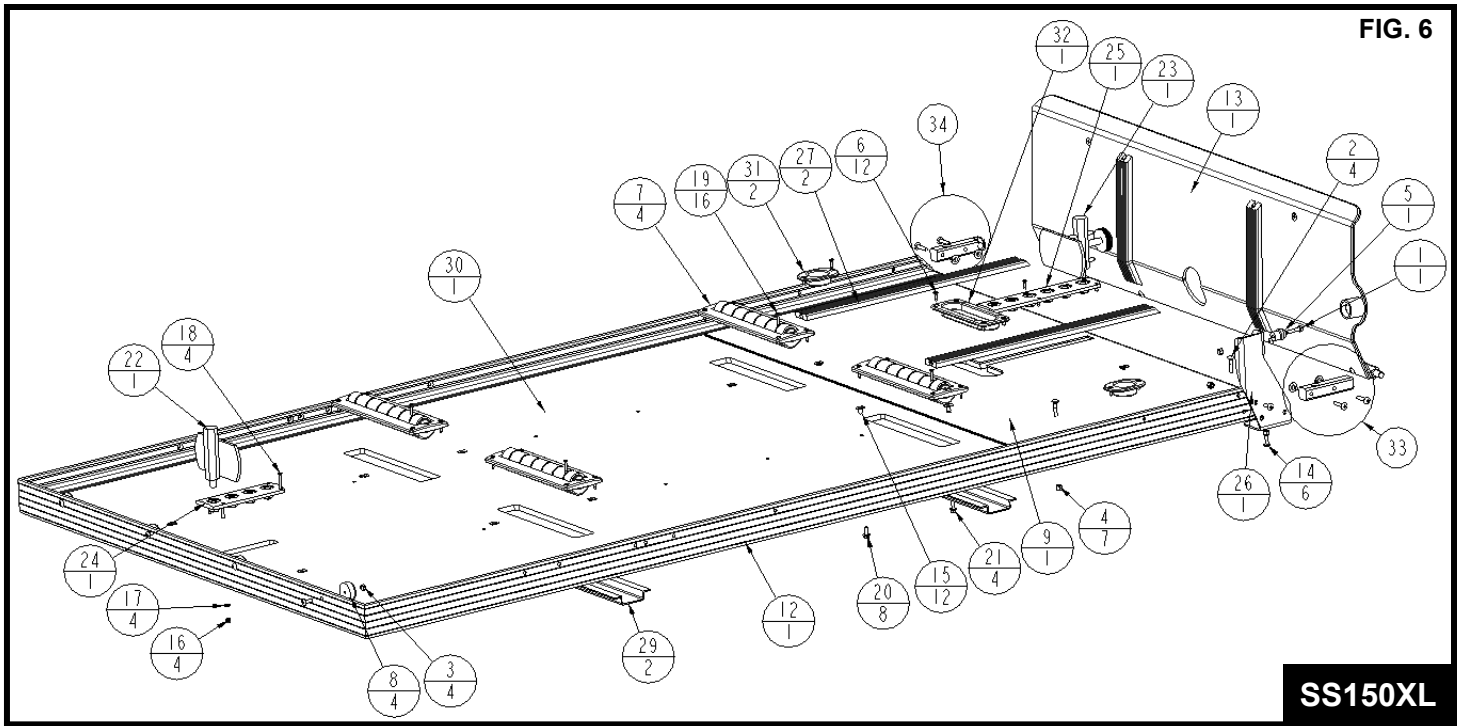
- A. The ramp assembly is installed backwards for shipping. Remove, reverse, and reinstall the ramp assembly as shown in Fig. 5. The SS150 and SS150XL are shipped with the bier pins and hardware kit attached to the deck. Remove these items and set aside for future use.
- B. On the SS150XL, the rollers are removed from the housing for shipping. Reinstall the rollers by pressing them back into the housing.
- C. Attach the front and rear supports to the deck with (8) 1/4" x 3/4" bolts and nylock nuts. Securely tighten all fasteners to prevent deck movement. See page 17 for more information on the mounting locations.
- D. Attach the retention straps to the side of the deck with (2) 1/4" x 3/4" screws and nylock nuts. Securely tighten all fasteners to prevent deck movement. See page 17 for more information on the mounting locations.
- E. Remove the van's middle seats and stow the rear seats per the vehicle manufacturer's instructions.
- F. Position deck inside van. Connect the retention straps to seat mount catches or channels shown in Fig. 4. Pull the straps tight to secure the deck.
- G. Verify the deck location by checking the ramp assembly for function. Check for fit with the bumper and verify clearance with all parts of the van, including the rear door when closed. Reposition the deck if needed.





SS150 DECK ASSEMBLY  
(7124B001) PARTS LIST

ITEM	PART #	DESCRIPTION	QTY	ITEM	PART #	DESCRIPTION	QTY
1	14010810	1/4 X 1 1/4 UNC HEX CAP SCR (GR	1	16	14840B09	10-24 NYLOCK NUT, SS	4
2	14350810	1/4 X 1 1/4 UNC RND HD SQ NK	4	17	14880B00	#10 SAE PLAIN WASHER	4
3	14700800	1/4 UNC HEX NUT (GR B)	4	18	15060032	#10 -24 X 1.25, PHIL FLAT HEAD	4
4	14780800	1/4 UNC HEX NYLOCK NUT (GR B)	7	19	15060420	1/4 X 5/8 FLANGE HEAD BOLT	8
5	15000006	RAMP HOLDER, MALE END	1	20	15060421	1/4 X 3/4 FLANGE HEAD BOLT	4
6	15060048	#10 X 3/4 SS FLAT HD TAP SCR	12	21	15070287	BIER PIN-STATIONARY	1
7	15070407	BUMPER-RECESSED, 1.50 O.D. X .63	4	22	15070293	BIER PIN-ADJUSTABLE	1
8	71241004	REAR ANGLE GUARD	1	23	15070296	BIER PIN PLATE (4 HOLE)	1
9	71243110	INSTALATION INSTRUCTIONS AND	1	24	15070297	BIER PIN PLATE (6 HOLE)	1
10	71383005	DECK BOARD	1	25	70000028	BRACKET-STOP, RAMP	1
11	71383013	GLIDE STRIP	2	26	78000011	RECESSED COT CUP	2
12	71383100	DECK WELDMENT	1	27	78000016	SUPER SIZED RECESSED COT	1
13	71383101	RAMP ASSEMBLY, 2009 CHRYSLER/	1	28	70002003	KIT-TUBE MOUNT, RAMP-LEFT	1
14	144C0806	1/4 X 3/4 UNC TRUSS HD PH MACH	6	29	70002004	KIT-TUBE MOUNT, RAMP-RIGHT	1
15	14840808	1/4-20 X 7/16 SLAB BASE WELD NUT	12				

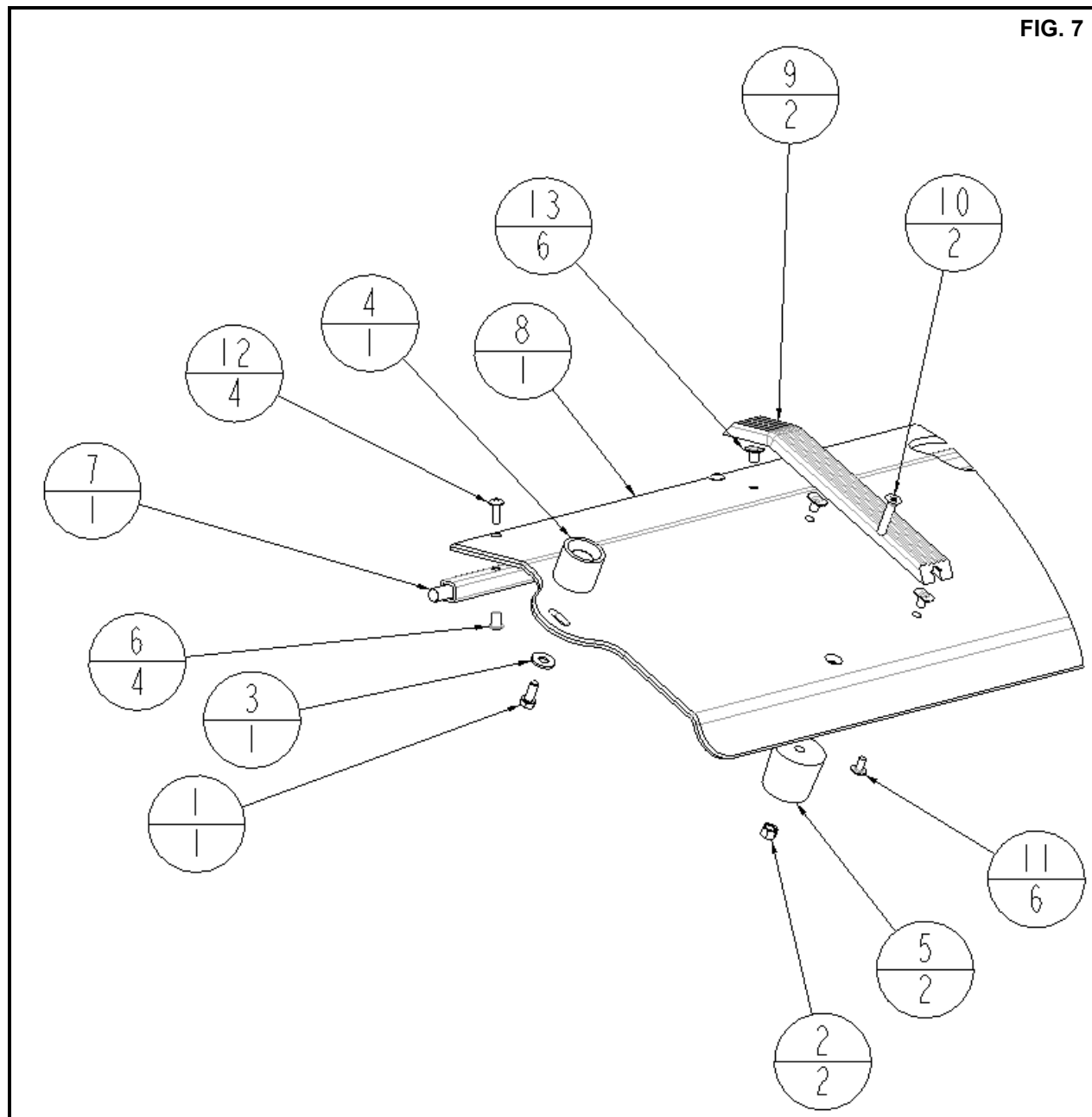


SS150XL DECK ASSEMBLY  
(7124B000) PARTS LIST

ITEM	PART #	DESCRIPTION	QTY	ITEM	PART #	DESCRIPTION	QTY
1	14010810	1/4 X 1 1/4 UNC HEX CAP SCR (GR 5)	1	18	15060032	#10 -24 X 1.25, PHIL FLAT HEAD M.S. SS	4
2	14350810	1/4 X 1 1/4 UNC RND HD SQ NK	4	19	15060043	#10 X 1 SS FLAT HD TYPE B TAP	16
3	14700800	1/4 UNC HEX NUT (GR B)	4	20	15060420	1/4 X 5/8 FLANGE HEAD BOLT	8
4	14780800	1/4 UNC HEX NYLOCK NUT (GR B)	7	21	15060421	1/4 X 3/4 FLANGE HEAD BOLT	4
5	15000006	RAMP HOLDER, MALE END	1	22	15070287	BIER PIN-STATIONARY	1
6	15060048	#10 X 3/4 SS FLAT HD TAP SCR	12	23	15070293	BIER PIN-ADJUSTABLE	1
7	15070299	CR60 CASKET ROLLER	4	24	15070296	BIER PIN PLATE (4 HOLE)	1
8	15070407	BUMPER-RECESSED, 1.50 O.D.	4	25	15070297	BIER PIN PLATE (6 HOLE)	1
9	71241004	REAR ANGLE GUARD	1	26	70000028	BRACKET-STOP, RAMP	1
10	71243110	INSTALATION INSTRUCTIONS AND	1	27	71380014	GLIDE STRIP	2
11	71383016	GLIDE STRIP	2	28	71380015	GLIDE STRIP	2
12	71383100	DECK WELDMENT	1	29	71381010	FLOOR SPLICE	2
13	71383101	RAMP ASSEMBLY, 2009 CHRYS-	1	30	71383004	DECK BOARD	1
14	144C0806	1/4 X 3/4 UNC TRUSS HD PH MACH	6	31	78000011	RECESSED COT CUP	2
15	14840808	1/4-20 X 7/16 SLAB BASE WELD NUT	12	32	78000016	SUPER SIZED RECESSED COT	1
16	14840B09	10-24 NYLOCK NUT, SS	4	33	70002003	KIT-TUBE MOUNT, RAMP-LEFT	1
17	14880B00	#10 SAE PLAIN WASHER	4	34	70002004	KIT-TUBE MOUNT, RAMP-RIGHT	1



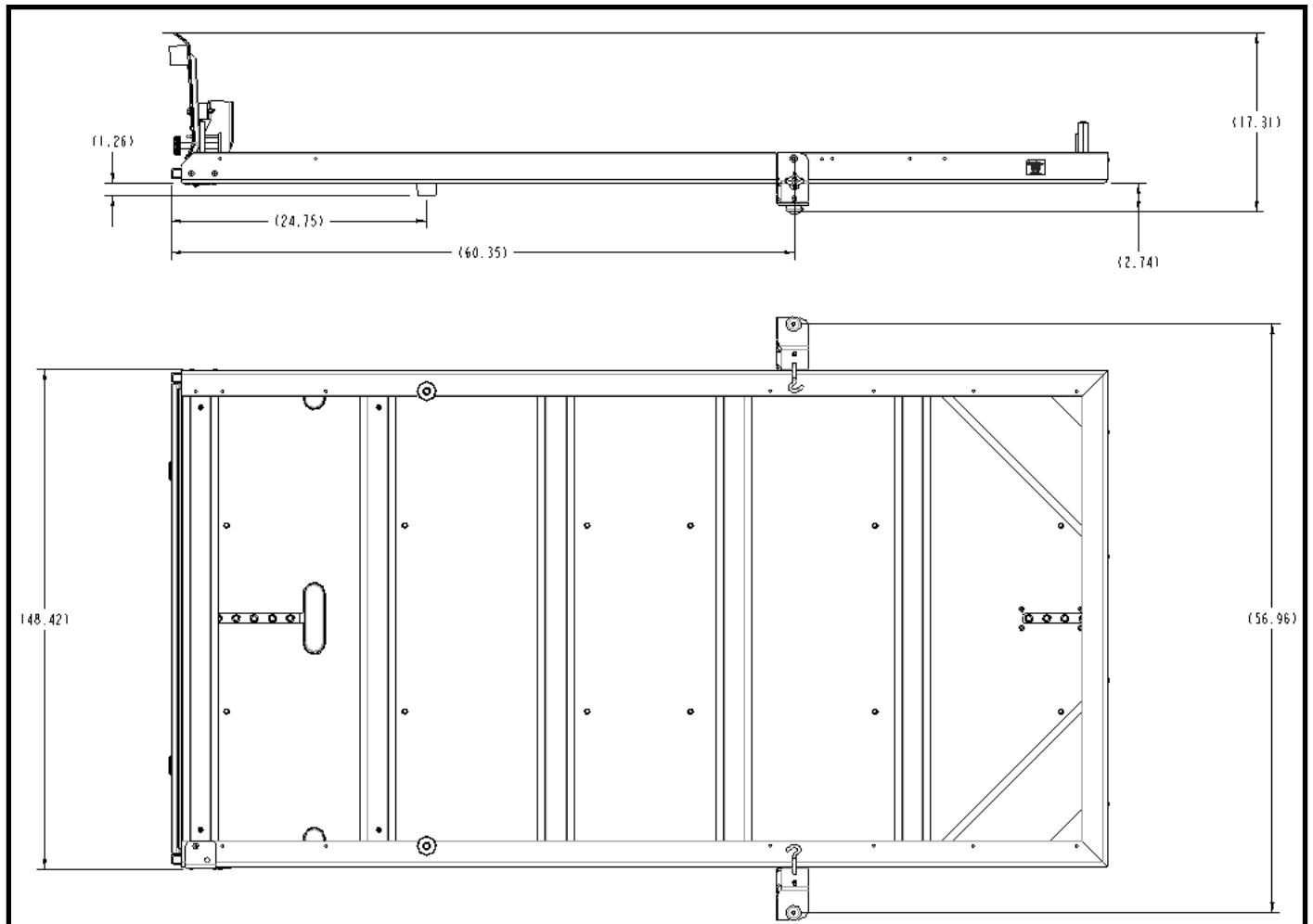
FIG. 7



RAMP SUB-ASSEMBLY  
(71383101) PARTS LIST

ITEM	PART #	DESCRIPTION	QTY	ITEM	PART #	DESCRIPTION	QTY
1	14011006	5/16 X 3/4 UNC HEX CAP SCR (GR	1	8	71382006	RAMP PLATE	1
2	14781000	5/16 UNC HEX NYLOCK NUT (GR	2	9	71382007	GLIDE STRIP	2
3	14871000	5/16 TYPE A PLAIN WASHER	1	10	14441012	5/16 X 1 1/2 UNC PHIL HD CSK	2
4	15000007	RAMP HOLDER, FEMALE END	1	11	144C0804	1/4 X 1/2 UNC TRUSS HD PH	6
5	15000070	BUMPER-JOUNCE, 1.75	2	12	144C0806	1/4 X 3/4 UNC TRUSS HD PH	4
6	15060424	1/4-20 X 5/16 X 1/2 SEX BOLT	4	13	14840808	1/4-20 X 7/16 SLAB BASE WELD	6
7	70002001	RAMP TUBE WELDMENT	1				

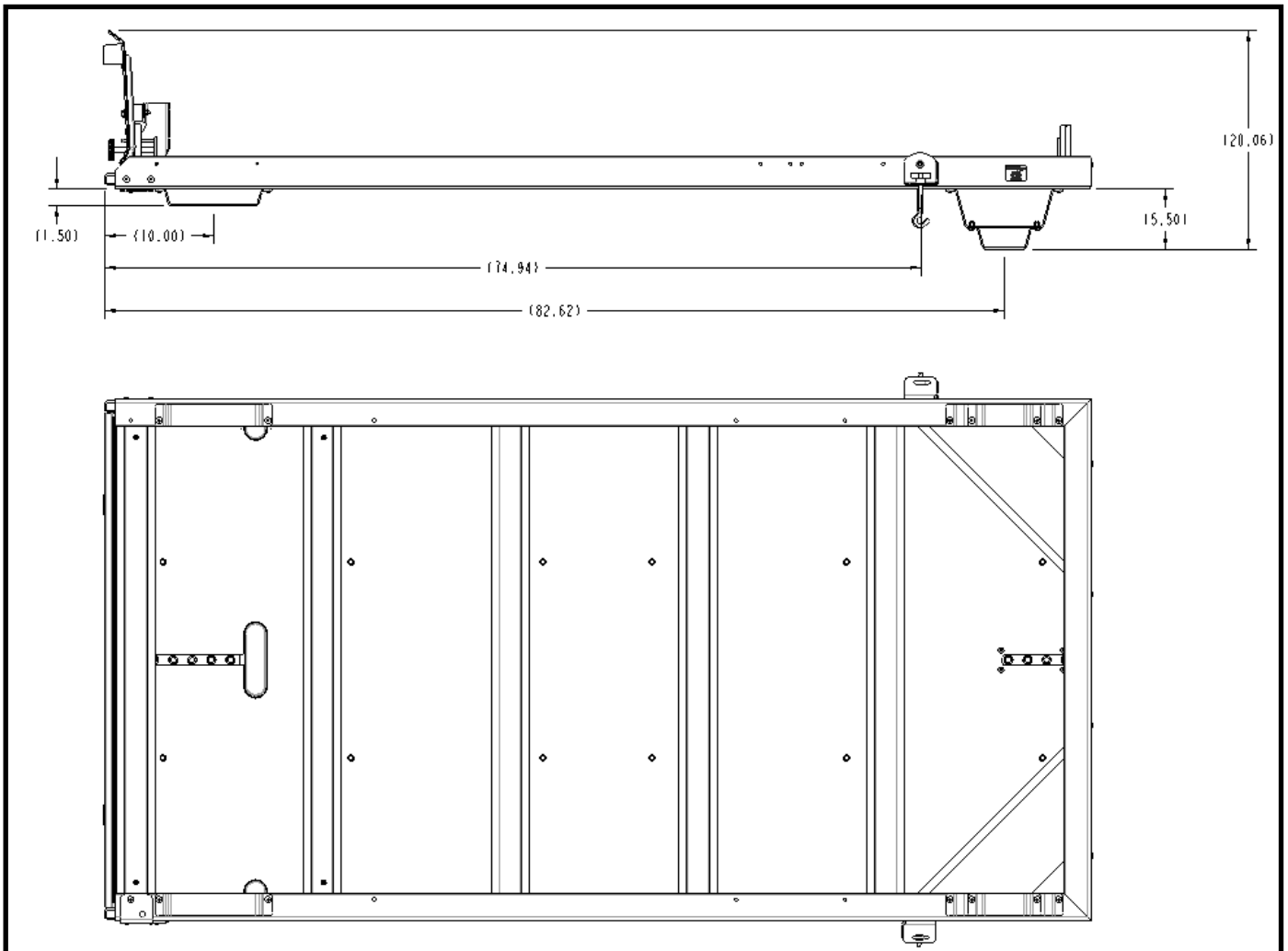
## MOUNT KIT FOR: 2009+ Chrysler Town and Country and, Dodge Grand Caravan



71241010 MOUNT KIT  
PARTS LIST

ITEM	PART #	DESCRIPTION	QTY
1	15070407	BUMPER-RECESSED, 1.50 O.D. X .63 H	2
2	71383029	BRACKET-MOUNT,FRONT	2
3	14011008	5/16 X 1 UNC HEX CAP SCR (GR 5)	2
4	14440806	1/4 X 3/4 UNC PHIL HD CSK MACH SCR	2
5	144C0806	1/4 X 3/4 UNC TRUSS HD PH MACH SCR, SS	2
6	14571040	J-HOOK, 5/16-18 X 5.00	2
7	14700800	1/4 UNC HEX NUT (GR B)	2
8	14781000	5/16 UNC HEX NYLOCK NUT (GR B)	2
9	15000071	BUMPER-JOUNCE, 1.25	2
10	15070207	KNOB-CLAMPING, 1 3/4 X 1, 5/16 UNC THRU	2
11	15070210	PLASTIC KNOB W/ THREADED INSERT 1/4-20	2

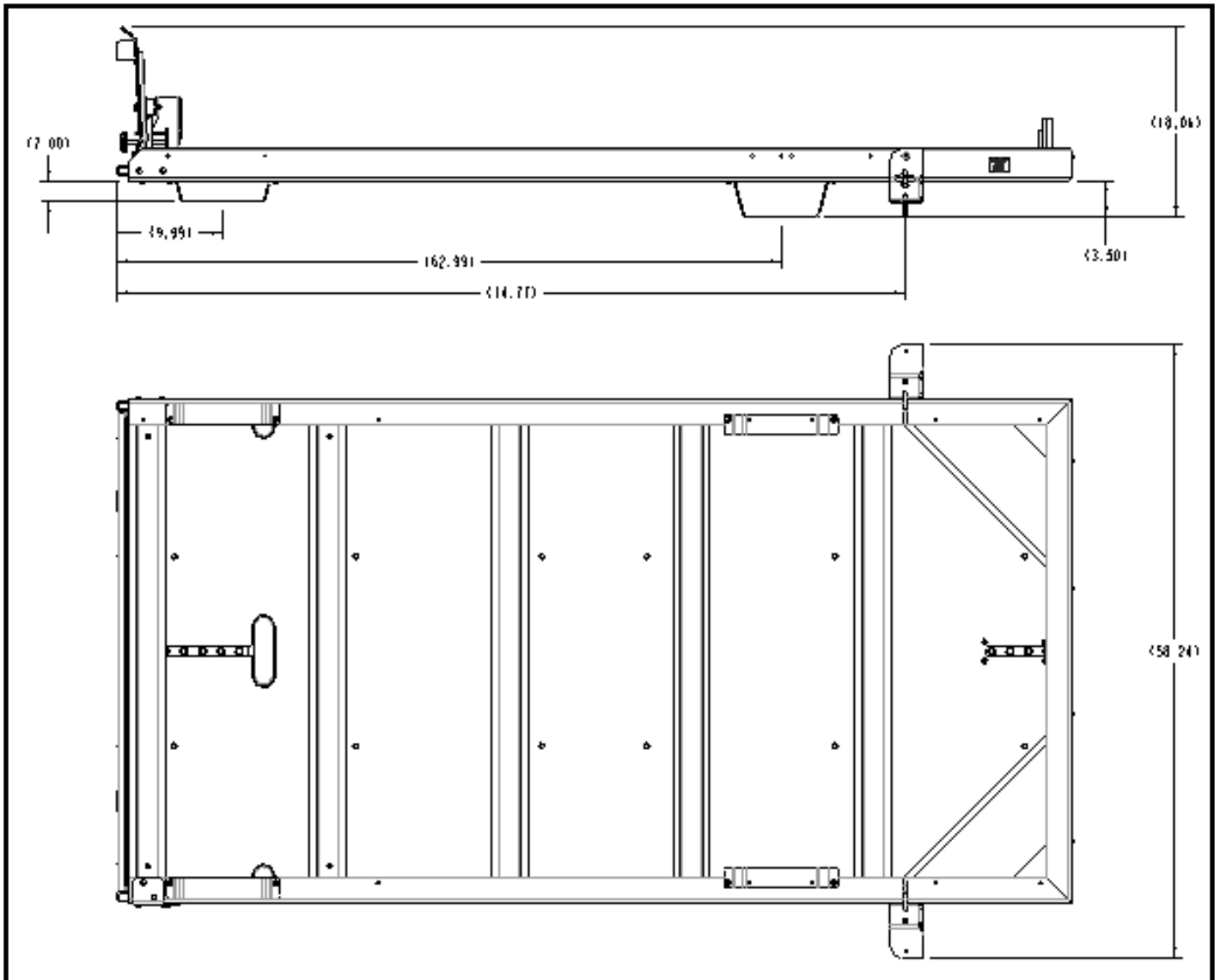
**MOUNT KIT FOR: 2004-2009 Nissan Quest, 2004-2009 Toyota Sienna,  
2005+ Honda Odyssey**  
(Not all brackets are used in all instances)



71241011 MOUNT KIT  
PARTS LIST

ITEM	PART #	DESCRIPTION	QTY
1	70000074	BRACKET-SUPPORT	2
2	70000075	BRACKET-SUPPORT	2
3	70000100	BRACKET-SUPPORT	2
4	14440806	1/4 X 3/4 UNC PHIL HD CSK MACH SCR	2
5	144C0806	1/4 X 3/4 UNC TRUSS HD PH MACH SCR, SS	12
6	14571040	J-HOOK, 5/16-18 X 5.00	2
7	14780800	1/4 UNC HEX NYLOCK NUT (GR B)	12
8	15070207	KNOB-CLAMPING, 1 3/4 X 1, 5/16 UNC THRU	2
9	15070210	PLASTIC KNOB W/ THREADED INSERT 1/4-20	2
10	70000030	BRACKET-HOLD DOWN, DECK	2

## MOUNT KIT FOR: 2010+ Toyota Sienna

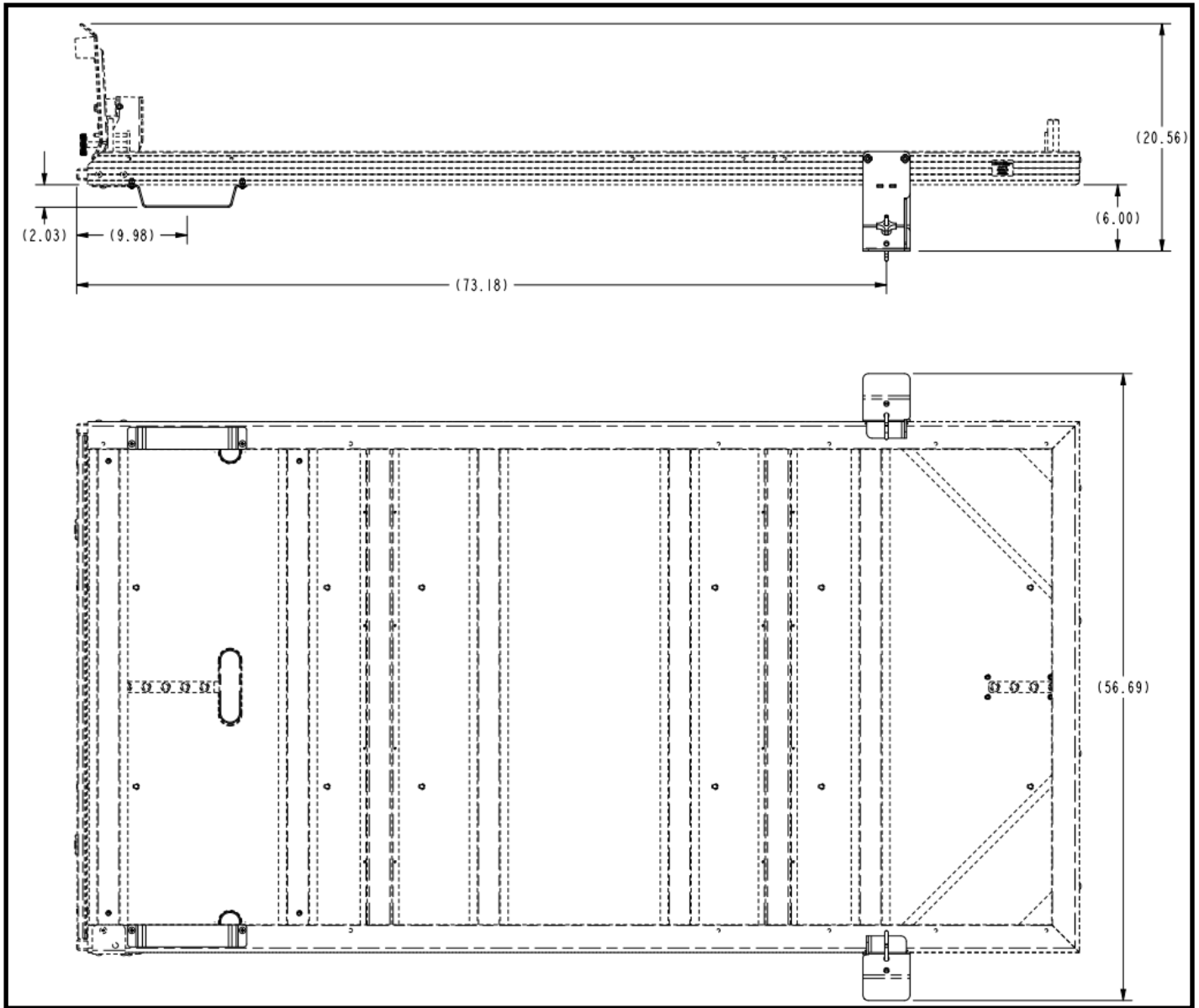


71241012 MOUNT KIT  
PARTS LIST

ITEM	PART #	DESCRIPTION	QTY
1	70000074	BRACKET-SUPPORT	2
2	71241005	BRACKET-SUPPORT	2
3	71383029	BRACKET-MOUNT,FRONT	2
4	14440806	1/4 X 3/4 UNC PHIL HD CSK MACH SCR	2
5	144C0806	1/4 X 3/4 UNC TRUSS HD PH MACH SCR, SS	8
6	14571040	J-HOOK, 5/16-18 X 5.00	2
7	14780800	1/4 UNC HEX NYLOCK NUT (GR B)	8
8	15070207	KNOB-CLAMPING, 1 3/4 X 1, 5/16 UNC THRU	2
9	15070210	PLASTIC KNOB W/ THREADED INSERT 1/4-20	2



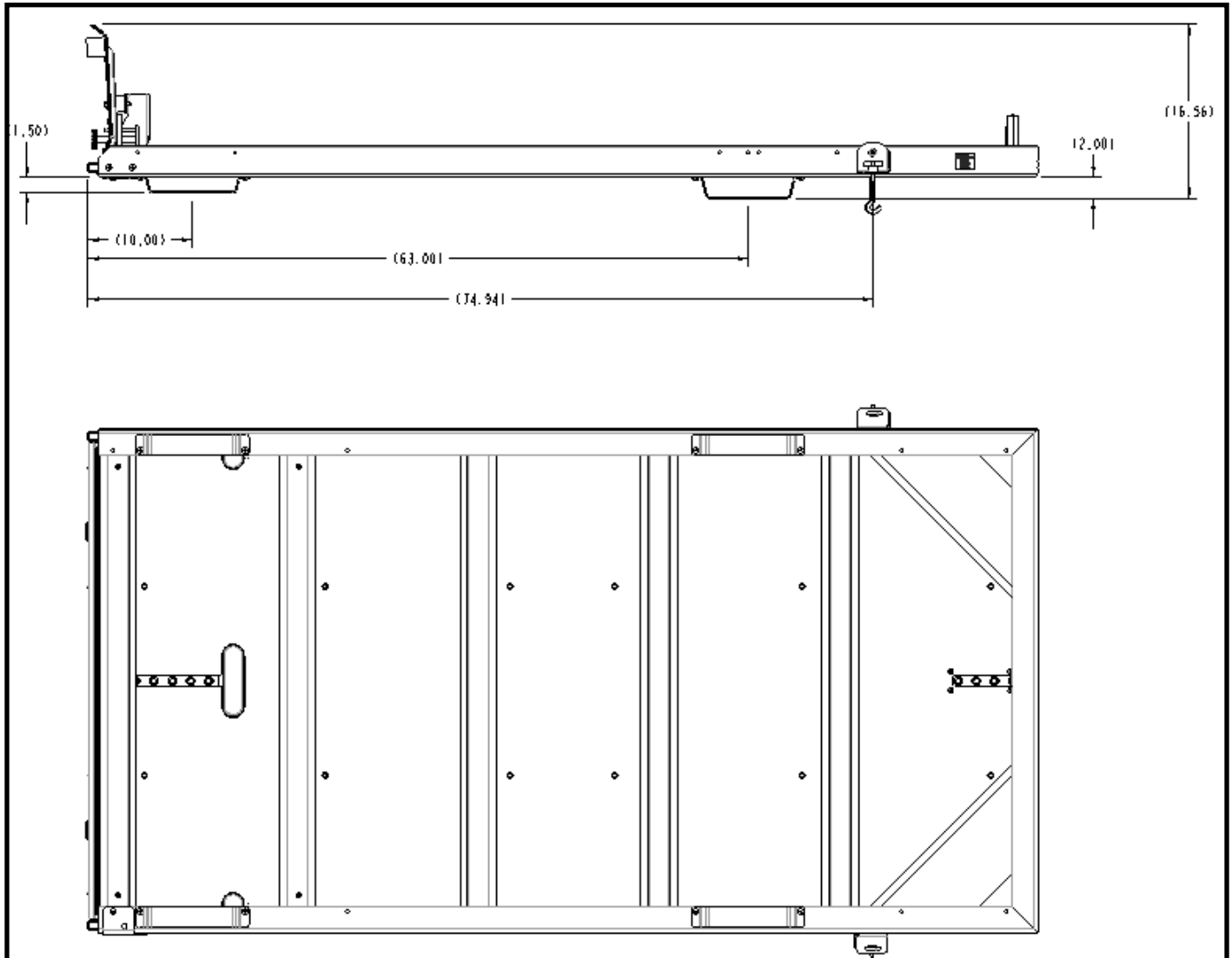
## MOUNT KIT FOR: 2021+ Toyota Sienna



71241015 MOUNT KIT  
PARTS LIST

ITEM	PART #	DESCRIPTION	QTY
1	14440806	1/4 X 3/4 UNC PHILLIPS HEAD CSK SCREW	2
2	14571040	J-HOOK, 5/16-18 X 5	2
3	14780800	1/4 UNC HEX NYLOCK NUT	2
4	15070207	KNOB-CLAMPING, 1 3/4 X 4, 5/16 UNC	2
5	15070210	PLASTIC KNOB W/ THREADED INSERT 1/4-20	8
6	71240027	WELDMENT-SUPPORT	2
7	71241005	BRACKET-SUPPORT	8
8	144C0806	1/4 X 3/4 UNC TRUSS HD PH MACH SCR, SS	2

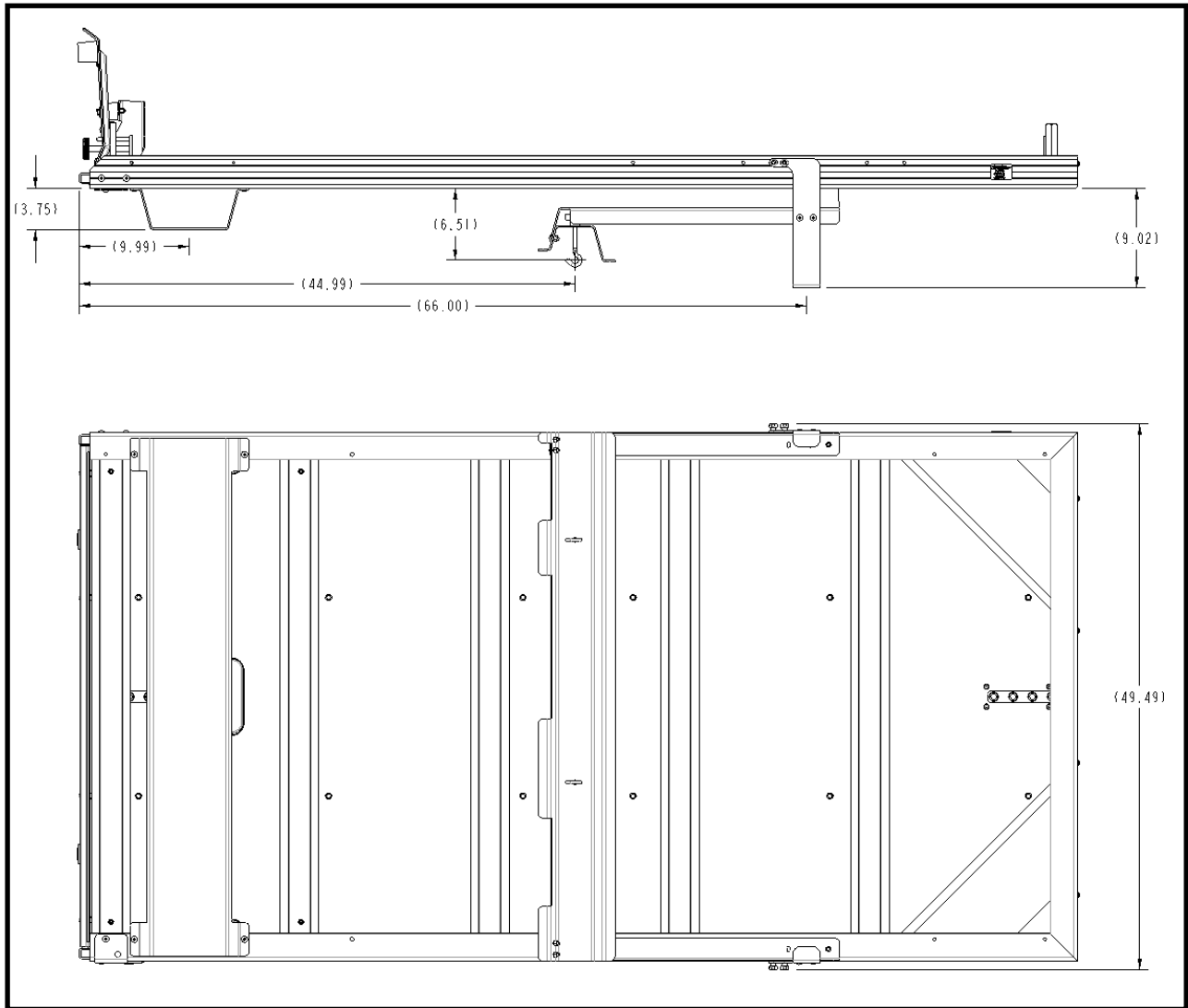
## MOUNT KIT FOR: 2006+ Hyundai Entourage



71241012 MOUNT KIT  
PARTS LIST

ITEM	PART #	DESCRIPTION	QTY
1	70000100	BRACKET-SUPPORT	2
2	71241005	BRACKET-SUPPORT	2
3	14440806	1/4 X 3/4 UNC PHIL HD CSK MACH SCR	2
4	144C0806	1/4 X 3/4 UNC TRUSS HD PH MACH SCR, SS	8
5	14571040	J-HOOK, 5/16-18 X 5.00	2
6	14780800	1/4 UNC HEX NYLOCK NUT (GR B)	8
7	15070207	KNOB-CLAMPING, 1 3/4 X 1, 5/16 UNC THRU	2
8	15070210	PLASTIC KNOB W/ THREADED INSERT 1/4-20	2
9	70000030	BRACKET-HOLD DOWN, DECK	2

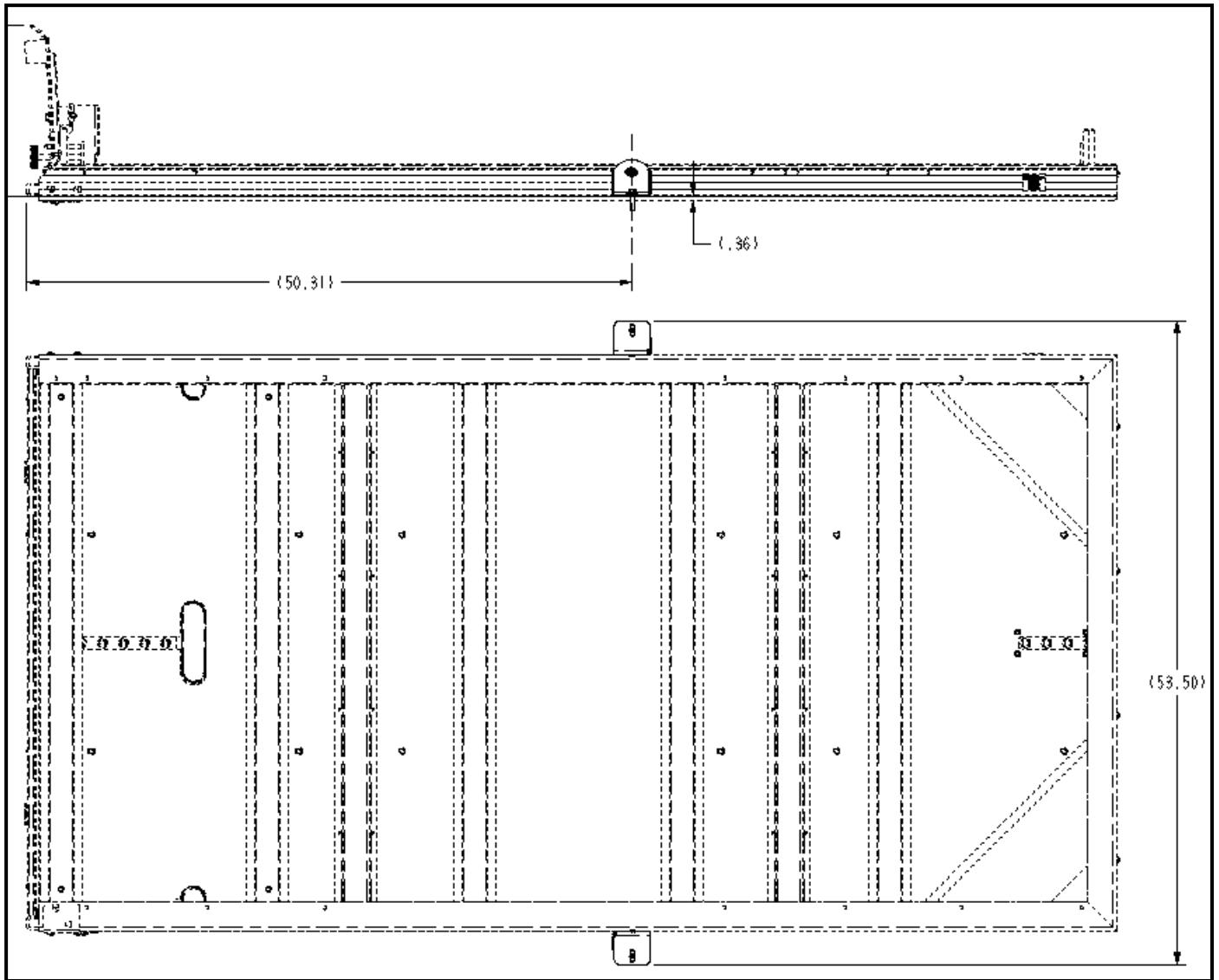
## MOUNT KIT FOR: 2017+ Chrysler Pacifica



### 71241014 MOUNT KIT PARTS LIST

ITEM	PART #	DESCRIPTION	QTY
1	14780800	1/4 UNC HEX NYLOCK NUT (GR B)	14
2	15000070	BUMPER-JOUNCE, 1.75	2
3	71240010	CHANNEL-MOUNT	1
4	71240012	MOUNT PLATE, SIDE	1
5	71240016	MOUNT PLATE, SIDE	1
6	71240018	BRACKET-SUPPORT	1
7	71240021	MOUNT ANGLE—RIGHT	2
8	71240023	MOUNT ANGLE—LEFT	1
9	14440806	1/4 X 3/4 UNC PHIL HD CSK MACH SCR	4
10	144C0814	1/4 X 1 3/4 UNC TRUSS HD PH MACH SCR, SS	2
11	144C0806	1/4 X 3/4 UNC TRUSS HD PH MACH SCR, SS	12
12	14571040	J-HOOK, 5/16-18 X 5.00	2
13	15070207	KNOB-CLAMPING, 1 3/4 X 1, 5/16 UNC THRU	2
14	15070210	PLASTIC KNOB W/ THREADED INSERT 1/4-20	4

## MOUNT KIT FOR: Mercedes Metris Cargo Van 2016+

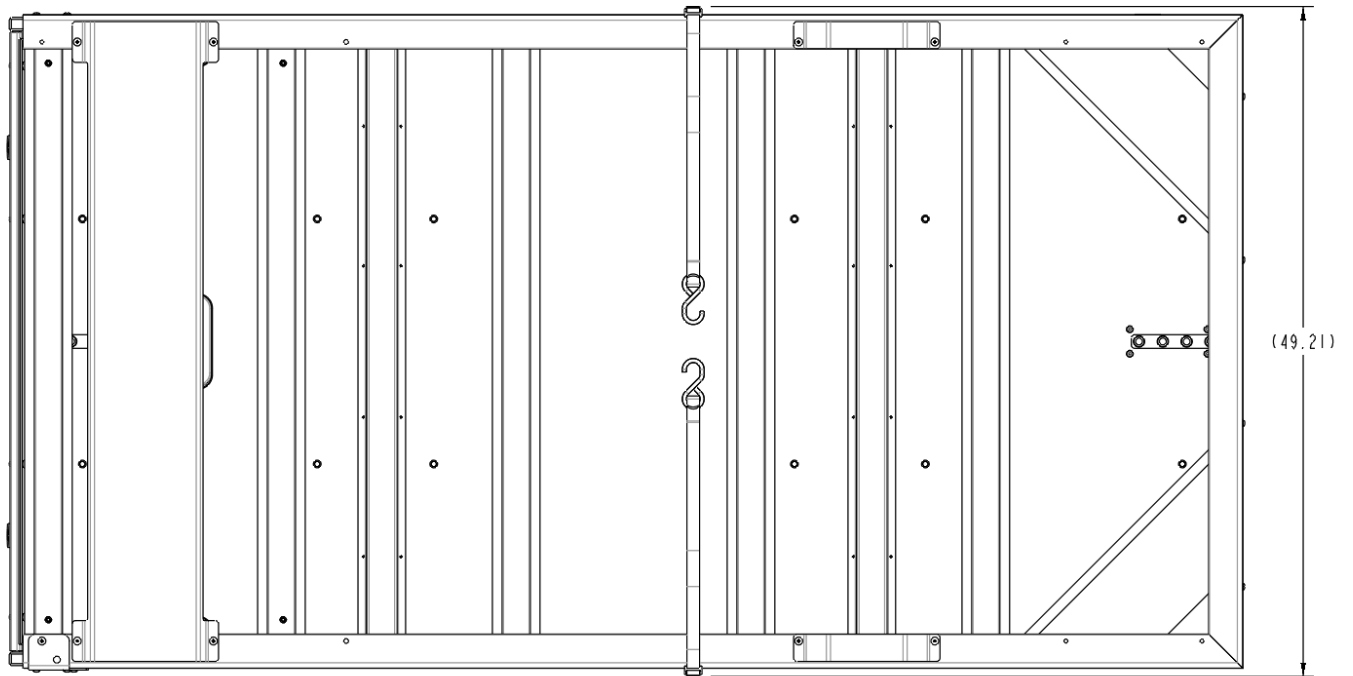
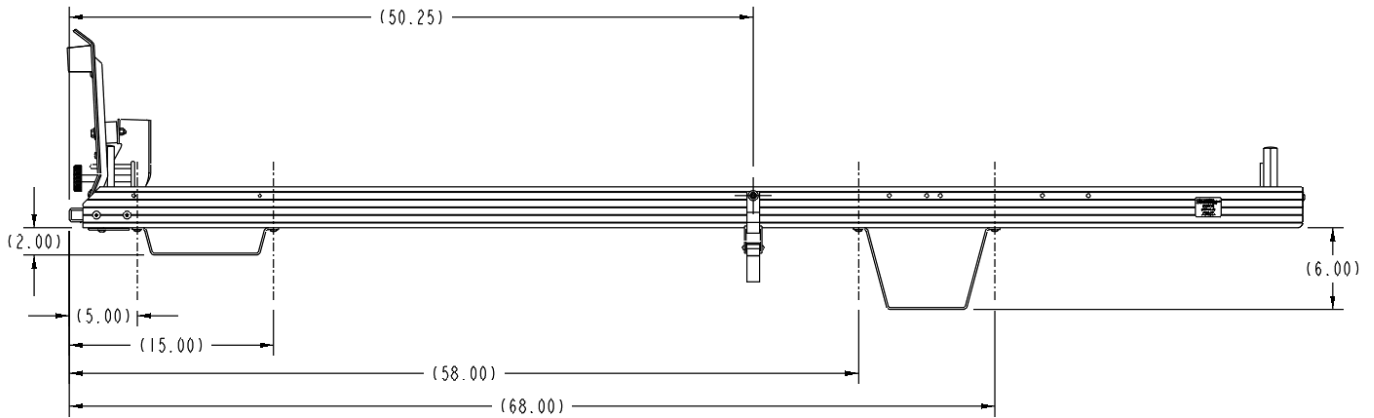


### 71353006 MOUNT KIT PARTS LIST

ITEM	PART #	DESCRIPTION	QTY
1	14851000	5/16 LOCK WASHER	4
2	14870800	1/4 TYPE A PLAIN WASHER	2
3	14871000	5/16 TYPE A PLAIN WASHER	1
4	15060450	HEX CAP SCREW, M8 X 1.25 X 40, CLASS 10.9	1
5	71350025	BRACKET-HOLD DOWN, DECK	1
6	1444-0806	1/4 X 3/4 UNC PHIL HD CSK MACH SCR	1
7	1507-0210	PLASTIC KNOB W/THREADED INSERT 1/4-20	2



## MOUNT KIT FOR: Kia Carnival 2022+



### 71241016 MOUNT KIT PARTS LIST

ITEM	PART #	DESCRIPTION	QTY
1	14440806	1/4 X 3/4 UNC PHILLIPS HEAD CSK SCREW	2
2	14780800	1/4 UNC HEX NYLOCK NUT	10
3	14870800	1/4 TYPE A PLAIN WASHER	2
4	15070305	RETENTION STRAP	2
5	71240028	BRACKET MOUNT, REAR	1
6	71240029	BRACKET MOUNT, FRONT	2
7	144C0806	1/4 X 3/4 UNC TRUSS HD PH MACH SCR, SS	8

# SPECIFICATIONS FOR SS150 UNIVERSAL SINGLE DECK

## DECK CAPACITY:

Maximum Load Length with Ramp Installed	.....	<b>87.5"</b>
Maximum Load Length without Ramp Installed	.....	<b>90"</b>
Maximum Load Width	.....	<b>47.25"</b>

## VEHICLE REQUIREMENTS:

Overall Deck Length (with Ramp up)	.....	<b>90.75"</b>
Overall Deck Width w/o tie downs installed	.....	<b>48.0"</b>

## WEIGHT OF DECK (including ramp)

..... **145 lbs.**

## APPROXIMATE HEIGHT OF DECK FROM GROUND\*

..... **28"**

## BIER PINS AVAILABLE

..... **Yes**

## REAR WEAR PLATE

..... **Yes**

## REMOVABLE RAMP

..... **Yes**

## TIE DOWN METHOD

..... **Seat Hold-Downs**

## INSTALLATION TIME

..... **30 minutes**

## WARRANTY

..... **1 Year**

\*Height may vary depending on vehicle.

